

Measurement, Control and Switching



aerospace
climate control
electromechanical
filtration
fluid & gas handling
hydraulics
pneumatics
process control
sealing & shielding



Measurement, Control and Switching



ENGINEERING YOUR SUCCESS.





Table of Contents



	Page
Product overview	5-6
Pressure and temperature sensors	6-27
SCP01 pressure sensors	8-11
SCP02 pressure sensors	12-17
SCPS01 pressure switches	18-22
SCP-EX pressure sensors	23-25
SCT-150 temperature sensors	26-27
Volumetric flow rate sensors	28-43
SCQ flow meter	30-33
SCFT measurement turbine	34-37
SCVF volume counter	38-43
Digital display units	44-47
SCE-020 digital display unit	44-47
The Controller Family	48-95
SCPSDi PressureController	50-55
SCPSD PressureController	56-61
SCTSD TemperatureController	62-73
SCTSD-L combination switch	74-77
SCLSD LevelController	78-83
SCLTSD LevelTempController	84-89
SCOTC OilTankController	90-95
Accessories	96-101
SCK cable	96-97
SCA adapter	98-99
EMA-3 adapter	100-103
Software ControllerWIN	104-105
Installation and safety instructions	106
EMC	106
Compatibility with media (substances)	106
Pressure range selection	106
Appendix	107-108
Conversion charts	108
Index	108
Old and new references	108

Product overview




Measurement

Pressure and temperature sensors

SCP01	SCP02	SCPS01
		
Measures pressure in standard applications	Measures pressure in mobile hydraulics	Pressure switch designed for series machines
Page 8-11	Page 12-17	Page 18-22

SCP-EX	SCT-150
	
Measures pressure in Ex Zone 1	Measures temperature even under high operating pressures
Page 23-25	Page 26-27

Volumetric flow rate sensors

SCQ	SCFT	SCVF
		
For quick flow changes	Low loss measuring of volume flow	Measures different substances
Measures in both directions		Measures lower volume flows (leakage measurements)
Page 30-33	Page 34-23	Page 38-43

Displays

Digital display units





SCE-020




Displays a variety of measured values
Page 44-47

Product overview

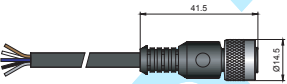
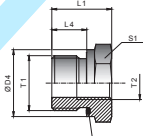

Measurement, display and switching


The Controller Family

SCPSDi	SCPSD	SCTSD	SCTSD-L
			
Pressure display and monitoring		Temperature display and monitoring	Temperature display and level monitoring
Page 50-55	Page 56-61	Page 62-73	Page 74-77

SCLSD	SCLTSD	SCOTC
		
Level display and monitoring	Level/temperature display and monitoring	
Page 78-83	Page 84-89	Page 90-95

Accessories

SCK cable	SCA adapter	EMA-3 adapter
		
Page 96-97	Page 98-99	Page 100-103

Software ControllerWIN

Page 104-105

Pressure and temperature sensors

Device features

- Long-term stability
- Immune to interference
- Rugged design
- Dependable



SensoControl[®] sensors feature long-term stability, interference immunity, a sturdy high-quality construction and a wide range of variants.

The sensors are designed and manufactured in our own production facilities under established standards for the industrial instrumentation and control systems. This allows us to easily adapt them to customer requirements or to critical applications.

We carefully consider the special requirements for automation and mobile hydraulics during the design phase. So our **SensoControl**[®] sensors are ideally suitable for the permanent series use in industrial and mobile applications.

Pressure sensors

The housing and all parts of the pressure sensors that touch the substances are manufactured from stainless steel. This provides a large range of media tolerability. A wide range of applications is possible due to the combination of high interference immunity and high resistance to external influences (shock, vibration and temperature).

The application areas are varied: from process engineering test rigs, conveying and lifting equipment, mobile hydraulics, general machine construction, pneumatic construction and hydraulic plant construction.

The SCP should be used when the pressure needs to be monitored reliably for long periods.

In this case the optimal sensor type can be selected from different product series according to the needs of the application. Different connecting plugs, output signals and connection threads are also available.




Temperature sensors



The SCT temperature sensor should be used when a temperature signal is required.

These are characterised by their unique pressure resistance up to 630 bar.

Pressure and temperature sensors

Overview

	SCP01	SCP02	SCPS01
Range of use			
	Measures pressure in standard applications	Measures pressure in mobile hydraulics	Pressure switch designed for series machines
	<ul style="list-style-type: none"> Stainless steel cell Small design High burst pressure Resistant to pressure peaks Resistant to shock and vibration 	<ul style="list-style-type: none"> Stainless steel cell Small design Stainless steel housing High burst pressure E1 road approval High protection degree Resistant to shock and vibration 	<ul style="list-style-type: none"> Stainless steel cell Small design High burst pressure E1 road approval Resistant to pressure peaks Resistant to shock and vibration
Application	<ul style="list-style-type: none"> Test benches Process technology Conveying and lifting equipment Machinery construction Pneumatic plant construction Hydraulic plant construction 	<ul style="list-style-type: none"> Mobile hydraulics Transport vehicles Conveyor vehicles Commercial vehicles 	<ul style="list-style-type: none"> Construction machines Commercial vehicles Press construction Wind power facilities Injection-mould machines Tool-making machines Hydraulic power unit Special machine construction Replacement for mechanical pressure switches
Order code	SCP01-xxx-xx	SCP02-xxx	SCPS01-xxx-xx-xx
Refer to page	8-11	12-17	18-22

	SCP-EX	SCT-150
Range of use		
	Measures pressure in Ex Zone 1	Measurement of pressure even under high operating pressures
	<ul style="list-style-type: none"> Stainless steel cell Small design High burst pressure Resistant to pressure peaks Resistant to shock and vibration 	<ul style="list-style-type: none"> Resistance to pressures up to 630 bar Compact size Standard output signal Quick reaction time
Application	<ul style="list-style-type: none"> Hydraulic Pneumatic and industrial robots Air conditioning equipment Process control Testing equipment 	<ul style="list-style-type: none"> Test benches Processing equipment Conveying and lifting equipment Machinery construction Pneumatic plant construction Hydraulic plant construction
Order code	SCP-xxx-3x-06-EX1	SCT-150-41-07
Refer to page	23-25	26-27



SCP01 pressure sensors

Device features

- Small design
- Stainless steel measuring cell
- Stainless steel housing
- Shock and vibration proof
- Wide range of compatible substances
- High linearity
- Long-term stability
- Substance temperature -40 to 125 °C
- Up to 1000 bar
- High burst pressure
- 1 ms
- Eroding milling
- Encapsulated electronics



The SCP01 pressure sensor was designed to meet industrial requirements and is used in control, regulating and monitoring systems.

The SCP01 is characterised by its compact design, high linearity and excellent interference immunity. It is suitable for quick control solutions because of its fast response speed. The compact stainless steel housing is good for harsh environmental conditions. All components which come into contact with the substance are made from stainless steel. This feature, combined with the welded, thin-layer measuring cell, ensure optimal compatibility with the substance. The electronics are encapsulated for protection against vibration damage and moisture.

In order to ensure an exact pressure measurement and to avoid disturbances, an EDM hole is integrated. This minimises the cavitation of air and dirt, thus preventing the measuring cell from being influenced by pressure surges and pressure peaks.

This product is ideal for permanent series usage in hydraulic applications because of its long lifespan, high accuracy, high reliability and sturdy stainless steel construction.



Typical application range

- General machine construction
- Injection-mould machines
- Die-casting machines
- Press construction
- Test benches
- Tool-making machines

SCP01 pressure sensors

Technical data

SCP01-xxx-x4-0x (bar / G1/4" BSPP)

SCP01-	010	016	025	040	060	100	160	250	400	600	1000
Pressure range P_n relative 0... (bar)	10	16	25	40	60	100	160	250	400	600	1000
Overload pressure* P_{max} relative (bar)	$2 \times P_n$										$1.5 \times P_n$
Burst pressure** P_{burst} relative (bar)	$4 \times P_n$										$2.5 \times P_n$

SCP01-xxxxP-x5-0x (psi / 1/4 NPT) & SCP01-xxxxP-x7-0x (psi / 7/16-20 UNF)

SCP01-	0150P	0250P	1000P	3000P	5000P	9000P***
Pressure range P_n relative 0... (psi)	150	250	1000	3000	5000	9000
Overload pressure* P_{max} relative (psi)	$2 \times P_n$					
Bursting pressure** P_{burst} relative (psi)	$4 \times P_n$					

* DIN EN 60770-1 / ** DIN 16086 / *** only 1/4 NPT

General	
Response time	≤ 1 ms
Long-term stability	< 0.2 % FS / a
Load change	> 20 million
Weight	Approx. 80 g
MTTfd	> 100 years
Accuracy	
Non-linearity	BFSL according to IEC 61298-2 $\leq \pm 0.25$ %FS
Accuracy	Type $\leq \pm 0.25$ %FS Max. $\leq \pm 0.5$ %FS
Total error at 0 to 85 °C	$\leq \pm 1$ %FS
Temperature coefficient	
Zero point	Max. $\leq \pm 0.2$ %FS/10 K
Output range	Max. $\leq \pm 0.2$ %FS/10 K
Material	
Housing	Stainless steel 1.4404

Ambient conditions	
Ambient temperature range	-40...+85 °C
Fluid temperature range	-40 to +125 °C
Compensated range	0 to +85 °C
Storage temperature	-40 to +125 °C
Vibration resistance	IEC 60068-2-6: 20 g
Shock resistance	IEC 60068-2-27: 500 g
Electrical protection	
Short-circuit, signal to GND, reverse polarity protection	
EM compatibility	
Disturbance emissions	EN 61000-6-3
Resistance to interference	EN 61000-6-2
Process connection	
Eroding milling	0.6 mm
Tightening torque	Max. 35 Nm

Process connection	G1/4A BSPP; DIN 3852 T11, Form E	SAE 7/16 UNF Male O ring	1/4 NPT
Seal	Sealing ring DIN 3869-14-FKM	O ring 8,12x1,83 FKM	
Parts in contact with substances	FKM Stainless steel 1.4404 Stainless steel 1.4548	FKM Stainless steel 1.4404 Stainless steel 1.4548	FKM Stainless steel 1.4404 Stainless steel 1.4548

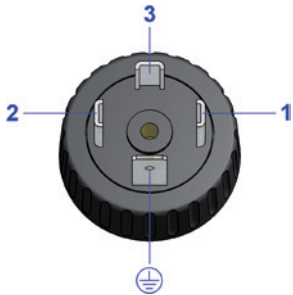
Output signal	0 to 20 mA	4 to 20 mA (3-wire)	4 to 20 mA (2-wire)	0 to 10 V
Auxiliary power V_+	+9 to 36 VDC	+9 to 36 VDC	+9 to 36 VDC	+14 to 36 VDC
Max. load	≥ 50 to ≤ 500 Ω ($V_+ - 9$ V) / 28 mA	≥ 50 to ≤ 500 Ω ($V_+ - 9$ V) / 28 mA	≥ 50 to ≤ 500 Ω ($V_+ - 9$ V) / 20 mA	≥ 10 k Ω

SCP01 pressure sensors

Pin assignment

Device plug DIN EN 175301-803 Form A 4-pole (old 43650)

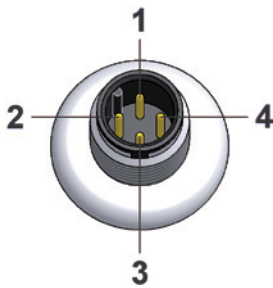
SCP01-xxx-xx-06



PIN	0 to 20 mA	4 to 20 mA (3-wire)	4 to 20 mA (2-wire)	0 to 10 V
1	P signal	P signal	P signal	P signal
2	0 V / GND	0 V / GND	n.c.*	0 V / GND
3	V ₊	V ₊	V ₊	V ₊
⊕	n.c.*			
Protection class	IP65			

Circular connector M12x1 4-pole

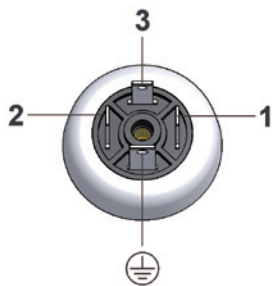
SCP01-xxx-xx-07



PIN	0 to 20 mA	4 to 20 mA (3-wire)	4 to 20 mA (2-wire)	0 to 10 V
1	V ₊	V ₊	V ₊	V ₊
2	P signal	P signal	P signal	P signal
3	0 V / GND	0 V / GND	n.c.*	0 V / GND
4	n.c.*			
Material	Plastic PBT-GF30 Ultradur B4300 G6 black			
Protection class	IP67			

Device plug Industrial Micro DIN 9.4 mm

SCP01-xxx-xx-0C



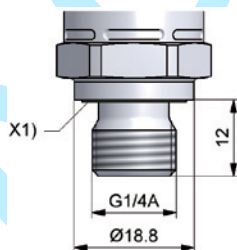
PIN	0 to 20 mA	4 to 20 mA (3-wire)	4 to 20 mA (2-wire)	0 to 10 V
1	P signal	P signal	P signal	P signal
2	V ₊	V ₊	V ₊	V ₊
3	n.c.*			
⊕	0 V / GND	0 V / GND	n.c.*	0 V / GND
Protection class	IP65			

*) n.c. = not connected

Dimensioned drawings

SCP01-xxx-x4-0x

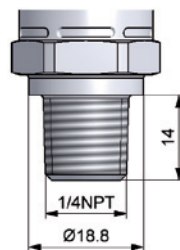
G1/4 BSPP ED



X1) = ED-seal

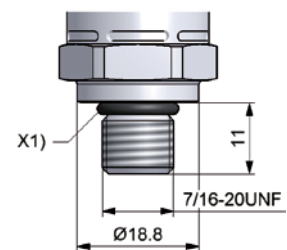
SCP01-xxxP-x5-0x

1/4 NPT



SCP01-xxxP-x7-0x

SAE 7/16-20UNF

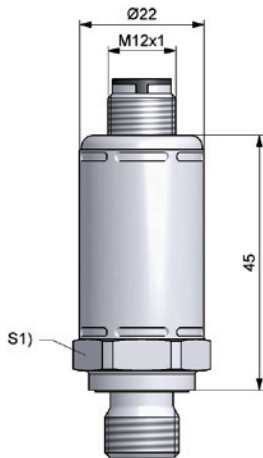


X1) = O ring 8.92 x 1.83

SCP01 pressure sensors

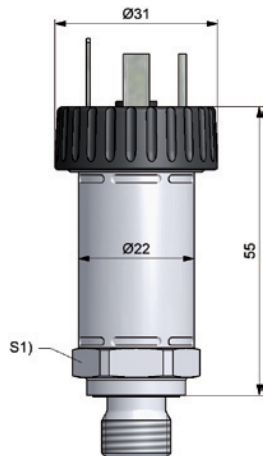
Dimensioned drawings

SCP01-xxx-xx-07



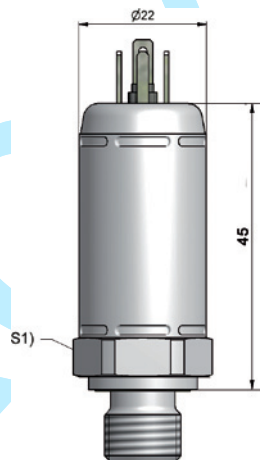
S1) = SW22

SCP01-xxx-xx-06



S1) = SW22

SCP01-xxx-xx-0C



S1) = SW22

Order code

Pressure sensor SCP01 (bar)

SCP01-xxx-x4-0x

Pressure range (bar)

0...10 bar	010
0...16 bar	016
0...25 bar	025
0...40 bar	040
0...60 bar	060
0...100 bar	100
0...160 bar	160
0...250 bar	250
0...400 bar	400
0...600 bar	600
0...1000 bar	1000

Output signal

0 to 20 mA	1
4 to 20 mA (3-wire)	2
4 to 20 mA (2-wire)	3
0 to 10 V	4

Connecting plug

Circular connector M12x1 4-pole	7
Device connector DIN EN 175301-803 Form A 4-pole	6
Device plug industrial micro DIN 9.4mm	C

Pressure sensor SCP01 (psi)

SCP01-xxxxx-xx-0x

Pressure range (psi)

0 to 150 psi	0150P
0 to 250 psi	0250P
0 to 1000 psi	1000P
0 to 3000 psi	3000P
0 to 5000 psi	5000P
0 to 9000 psi	9000P

Output signal

0 to 20 mA	1
4 to 20 mA (3-wire)	2
4 to 20 mA (2-wire)	3
0 to 10 V	4

Process connection

SAE 7/16 UNF Male O ring (P _n max. = 400 bar)	7
1/4 NPT (P _n max. = 600 bar)	5

Connecting plug

Circular connector M12x1 4-pole	7
Device connector DIN EN 175301-803 Form A 4-pole	6

SCP02 pressure sensors

Device features

- Small design
- Stainless steel measuring cell
- Stainless steel housing
- Shock and vibration proof
- High protection degree
- E1 road approval
- Substance temperature -40 to 150 °C
- Up to 1000 bar
- 1 ms
- Up to 36-V wiring systems



The SCP02 was designed specifically for the use in mobile working machines. The SCP02 has e1-approval and is manufactured with state of the art production methods according to ISO/TS 16949.

The shock and vibration resistance, the EMC characteristics, the power supply as well as the extended temperature range all were designed for this application type.

The SCP02 is suitable for quick control solutions because of its fast response speed.

The compact stainless steel housing with the plastic connector allows for use in harsh environmental conditions such as those in mobile hydraulics.

The components which come into contact with the substance are made from stainless steel (1.4548). This feature, combined with the welded, thin-layer measuring cell, ensures optimal compatibility with the substance.

An EDM hole has been added so that you get a precise, interference-free pressure measurement. This minimises the cavitation of air and dirt, thus preventing the measuring cell from being influenced by pressure surges and pressure peaks.

Typical application range

- Mobile hydraulics
- Transport vehicles
- Conveyor vehicles
- Commercial vehicles
- Automotive technology
- Brake systems
- Oil pressure
- Test equipment and technology
- Gearbox control

SCP02 pressure sensors

Technical data

SCP02-	010	025	040	060	100	160	250	400	600	1000
Pressure range P_n relative 0... (bar)	10	25	40	60	100	160	250	400	600	1000
Overload pressure* P_{max} relative (bar)	2 x P_n									1.5 x P_n
Burst pressure** P_{burst} relative (bar)	4 x P_n									2.5 x P_n

* DIN EN 60770-1

** DIN 16086

General	
Response time	≤1 ms
Long-term stability	< 0.2 % FS / a
Load change	> 100 million
Weight	Approx. 55 g
MTTfd	> 100 years
Accuracy	
Linearity, pressure hysteresis and reproducibility	≤0.5 %FS
Complete accuracy	≤1.0 %FS (0 to +80 °C) ≤1.5 %FS (-25 to +100 °C) ≤2.5 %FS (-40 to +125 °C)
Temperature coefficient	
Zero point	Max. ≤± 0.2 %FS/10 K
Output range	Max. ≤± 0.2 %FS/10 K
Material	
Housing	EN/DIN 1.4301
Electrical plug	Plastic PBT-GF30 Ultradur B4300 G6 black

Ambient conditions	
Ambient temperature range	-40 to +125 °C
Fluid temperature range	-40 to +150 °C
Storage temperature	-40 to +125 °C
Vibration resistance	IEC 60068-2-6: 20 g
Shock resistance	IEC 60068-2-27: 500 g
Electrical protection	
Short circuit, signal against GND/0V and protection against polarity reversal (not with ratiometric output)	
EM compatibility	
Disturbance emissions	EN 61000-6-3
Resistance to interference	EN 61000-6-2
Process connection	
Eroding milling	0.6 mm
Tightening torque	Max. 35 Nm

Process connection	Seal	Parts in contact with substances	Max. pressure range P_n
G1/4A BSPP; DIN 3852 T11, Form E	Sealing ring DIN 3869-14-FKM	EN/DIN 1.4548 / FKM	1000 bar
SAE-4: 7/16-20 UNF O ring	O ring FKM	EN/DIN 1.4548 / FKM	400 bar
SAE 6: 9/16-18 UNF O ring	O ring FKM	EN/DIN 1.4548 / FKM	400 bar
G1/4 DIN ISO 228-1 O ring	O ring FKM	EN/DIN 1.4548 / FKM	600 bar
1/4 NPT		EN/DIN 1.4548	600 bar

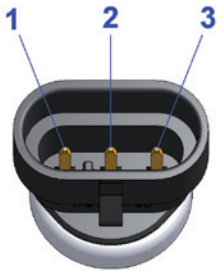
Output signal P signal	4 to 20 mA (2-wire)	0 to 5 V	1 to 6 V	0 to 10 V	0.5 to 4.5 V ratiometric
Auxiliary power V+	+9 to 36 VDC	+9 to 36 VDC	+9 to 36 VDC	+14 to 36 VDC	5 V
Load Ω (Ohm)	≥50 to ≤500 Ω ($V_+ - 9 V$) / 20 mA	≥10 k Ω	≥10 k Ω	≥10 k Ω	≥10 k Ω

SCP02 pressure sensors

Pin assignment

AMP Superseal 1.5

SCP02-xxx-xx-xA



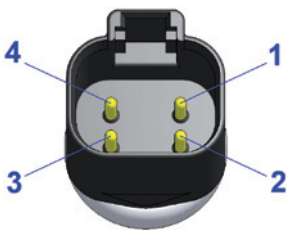
PIN	4 to 20 mA (2-wire)	0 to 5 V	1 to 6 V	0 to 10 V	0.5 to 4.5 V ratiometric
1	P signal	0 V / GND	0 V / GND	0 V / GND	0 V / GND
2	n.c.*	P signal	P signal	P signal	P signal
3	V ₊	V ₊	V ₊	V ₊	V ₊

Material Plastic PBT-GF30 Ultradur B4300 G6 black

Protection class IP67

DT04-4P

SCP02-xxx-xx-xD



PIN	4 to 20 mA (2-wire)	0 to 5 V	1 to 6 V	0 to 10 V	0.5 to 4.5 V ratiometric
1	V ₊	V ₊	V ₊	V ₊	V ₊
2	P signal	0 V / GND	0 V / GND	0 V / GND	0 V / GND
3	n.c.*	P signal	P signal	P signal	P signal
4	n.c.*	n.c.*	n.c.*	n.c.*	n.c.*

Material Plastic PBT-GF30 Ultradur B4300 G6 black

Protection class IP67

DT04-3P

SCP02-xxx-xx-xE



PIN	4 to 20 mA (2-wire)	0 to 5 V	1 to 6 V	0 to 10 V	0.5 to 4.5 V ratiometric
A	V ₊	V ₊	V ₊	V ₊	V ₊
B	n.c.*	P signal	P signal	P signal	P signal
C	P signal	0 V / GND	0 V / GND	0 V / GND	0 V / GND

Material Plastic PBT-GF30 Ultradur B4300 G6 black

Protection class IP67

1 m fixed cable

SCP02-xxx-xx-x0



	4 to 20 mA (2-wire)	0 to 5 V	1 to 6 V	0 to 10 V	0.5 to 4.5 V ratiometric
bn	V ₊	V ₊	V ₊	V ₊	V ₊
black	n.c.*	P signal	P signal	P signal	P signal
blue	P signal	0 V / GND	0 V / GND	0 V / GND	0 V / GND

Material Plastic PBT-GF30 Ultradur B4300 G6 black

Protection class IP69k

bn = brown-braun / bk = black-schwarz / bu = blue-blau

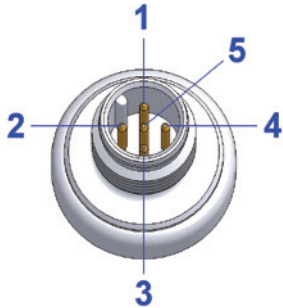
*n.c. = not connected

SCP02 pressure sensors

Pin assignment

M12x1

SCP02-xxx-xx-x5



PIN	4 to 20 mA (2-wire)	0 to 5 V	1 to 6 V	0 to 10 V	0.5 to 4.5V ratiometric
1	V ₊	V ₊	V ₊	V ₊	V ₊
2	P signal	P signal	P signal	P signal	P signal
3	n.c.*	0 V / GND	0 V / GND	0 V / GND	0 V / GND
4	n.c.*	n.c.*	n.c.*	n.c.*	n.c.*
5	n.c.*	n.c.*	n.c.*	n.c.*	n.c.*

Material

Plastic PBT-GF30 Ultradur B4300 G6 black

Protection class

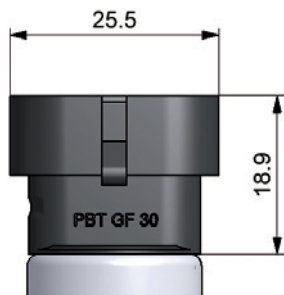
IP67

*n.c. = not connected

Dimensioned drawings

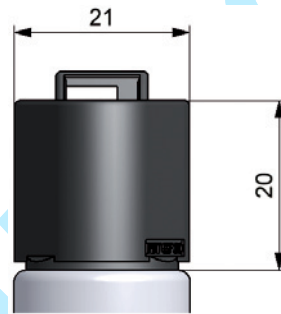
SCP02-xxx-xx-0A

AMP Superseal



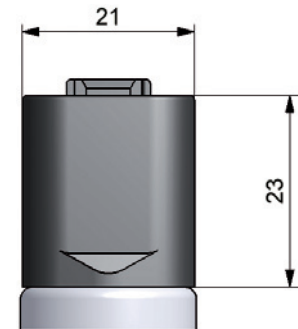
SCP02-xxx-xx-0D

DT04-4P



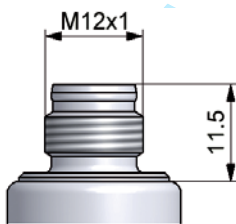
SCP02-xxx-xx-0E

DT04-3P



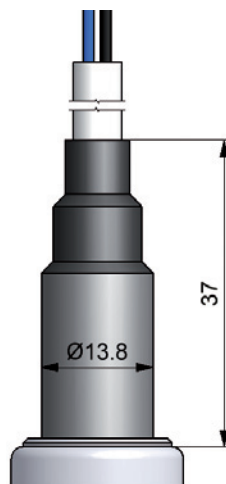
SCP02-xxx-xx-05

M12x1



SCP02-xxx-xx-00

Stationary cable (1 m)

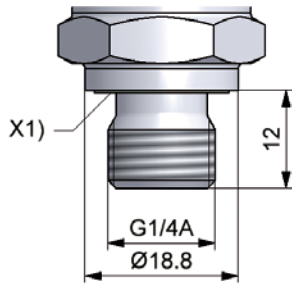


SCP02 pressure sensors

Dimensioned drawings

SCP02-xxx-x4-0x

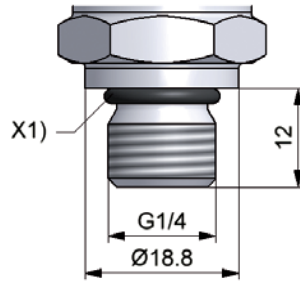
G 1/4, DIN 3852 T 11 (Form E)



X1) = ED-seal

SCP02-xxx-x8-0x

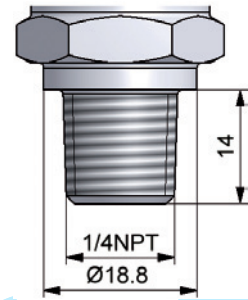
G1/4 O ring



X1) = O ring

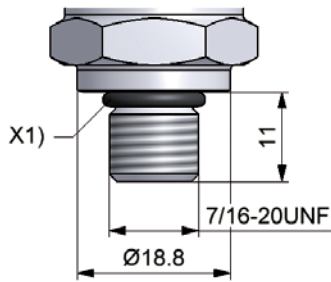
SCP02-xxx-x5-0x

1/4 NPT



SCP02-xxx-x7-0x

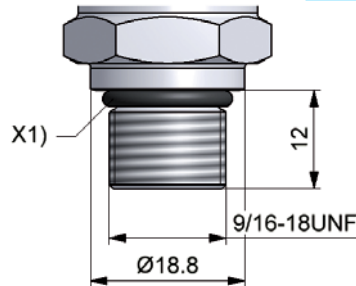
SAE 04 - O ring



X1) = O ring 8.92x1.83

SCP02-xxx-x6-0x

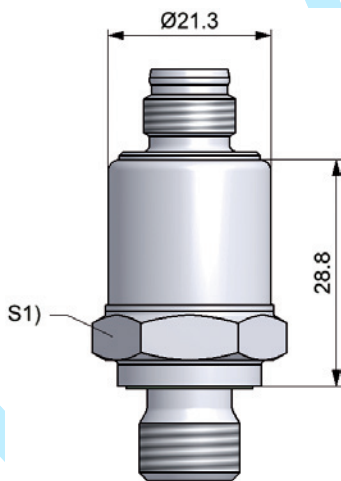
SAE 06 - O ring



X1) = O ring 11.89x1.98

SCP02-xxx-xx-0x

M12x1



S1) = SW22

SCP02 pressure sensors

Order code

Pressure sensor SCP02

Pressure range

Pressure range	SCP02-xxxx-xx-0x
0...10 bar	010
0...25 bar	025
0...40 bar	040
0...60 bar	060
0...100 bar	100
0...160 bar	160
0...250 bar	250
0...400 bar	400
0...600 bar	600
0...1000 bar	1000

Output signal

4 to 20 mA (2-wire)	3
0 to 10 V	4
1 to 5 V	A
1 to 6 V	B
0.5 to 4.5 V (ratiometric)	R

Process connection

G1/4 BSPP	4
1/4 NPT (P _n max. = 600 bar)	5
9/16-18 UNF, SAE 6 O ring (P _n max. = 400 bar)	6
7/16-20 UNF SAE-4 O ring (P _n max. = 400 bar)	7
G1/4 O ring (P _n max. = 600 bar)	8

Connecting plug

Stationary cable 1 m	0
Circular connector M12x1 5-pole	5
Device plug AMP Superseal	A
Device plug DT04 4-pole	D
Device plug DT04 3 pole	E

Optional

Kit with 25 sensors	SCP02-xxxx-xx-0x-KIT25
Kit with 50 sensors	SCP02-xxxx-xx-0x-KIT50
Kit with 100 sensors	SCP02-xxxx-xx-0x-KIT100

Connection cable and single plug

Connection cable, assembled

(open cable end)

Cable length (m)

2 m	02
5 m	05
10 m	10

Connecting plug

M12 cable jack; straight	45
M12 cable jack; 90° angled	55

Single connector

M12 cable jack; straight	SCK-145
M12 cable jack; 90° angled	SCK-155

Order example

SCP02-400-34-05

Single sensor
 Pressure range 400 bar
 Output signal 4 to 20 mA (2-wire)
 G1/4 BSPP
 M12 connecting plug 5-pole

SCP02-400-34-05-KIT25

Kit with 25 sensors
 Pressure range 400 bar
 Output signal 4 to 20 mA (2-wire)
 G1/4 BSPP
 Circular connector M12x1 5-pole

SCP02-250-A6-0A-KIT50

Kit with 50 sensors
 Pressure range 250 bar
 Output signal 1 to 5 V
 9/16-18 UNF, SAE 6 O ring
 Device plug AMP Superseal

SCPS01 pressure switches

Device features

- Long service life
- No readjustment
- For harsh environments
- Accurate switching



The SCPS01 electronic pressure switches were designed to be used in mass-produced machines.

Installation and production

In order to reduce the complexity of installation for the customer, the pressure switch can be programmed with customer-specific values at the factory. There is then no longer any need to make time-consuming adjustments while the system is pressurized.

More safety for the equipment manufacturer

The pressure switch can be set-up by the equipment manufacturer using a software program. This prevents the switch from being manipulated by unauthorized end users.

Components

This pressure switch contains no moveable parts. All components which come into contact with the substance are made from stainless steel. This feature, combined with the welded, thin-layer pressure sensor, ensure optimal compatibility with the substance. A cushioning mechanism can be optionally integrated in the substance inlet. The stainless steel housing enables the switch to be used in extremely harsh environments.

Application area

The switches have been designed with EMC characteristics, shock resistance and vibration resistance so that they can be used in a wide variety of applications and with mobile machines.

They have e1 approval and the SCPS01 are therefore approved for use in public transportation vehicles.

Thanks to their sturdy, compact design, long-term stability and attractive price, the SCPS01 are the alternative to mechanical pressure switches.

Application examples

- Construction machines
- Commercial vehicles
- Press construction
- Wind power facilities
- Injection-mould machines
- Tool-making machines
- Power packs
- Special machine construction
- Replacement for mechanical pressure switches

SCPS01 pressure switches

Technical data

SCPS01-	025	060	100	250	400	600	800
Pressure range P_n , relative (bar) Adjusting range RSP...SP (Lowest reset switch point ... highest switch point)	0...25 bar	0...60 bar	0...100 bar	0...250 bar	0...400 bar	0...600 bar	0...800 bar
Overload pressure* P_{max} , relative (bar)	$2 \times P_n$						
Bursting pressure** P_{burst} , relative (bar)	$4 \times P_n$						$3 \times P_n$
Smallest adjustable difference between SP and RSP (SP-RSP)	0,3 bar	0,6 bar	1 bar	3 bar	4 bar	6 bar	8 bar

Information about selecting the pressure range

The system pressure and pressure value used for switching are relevant for pressure switches:

Since a 400-bar pressure switch has a comparable resolution as that of a 600-bar pressure switch,

it is possible to use a pressure switch with a higher pressure range of P_n 600 bar – even when there is a smaller nominal pressure (for example, 315 bar).

This is a positive feature because it provides the same precision with improved safety (higher P_{max} over-pressure) and fewer product variants.

* DIN EN 60770-1

** DIN 160866

General	
Response time	Typ. 10 ms, max. 20 ms
Long-term stability	< 0.2 % FS / a
Switching cycles	> 100 million
Weight	Approx. 100 g
MTTfd	> 100 years
Accuracy	
Linearity, pressure hysteresis and reproducibility	≤0.5 %FS
Switching accuracy	≤1,0 % FS (0...+80 °C) ≤1,5 % FS (-25...+100 °C) ≤2,5 % FS (-40...+125 °C)
Ambient conditions	
Ambient temperature range*	-40 to +125 °C
Temperature of substance	-40 to +150 °C
Storage temperature	-40 to +125 °C
Vibration resistance	IEC 60068-2-6: 20 g
Shock resistance	IEC 60068-2-27: 500g
EM compatibility	
Disturbance emissions	EN 61000-6-3
Resistance to interference	EN 61000-6-2

Electrical connection	
Plug	M12 plug; German DT04 Cable outlet 1 m
Supply voltage	9 to 36 VDC 10 % allowed residual ripple at 50 Hz
Current consumption	40 mA
Output signal	1x PNP, 2x PNP 1x NPN, 2x NPN
Output current	Max. 500 mA per switch output
Electrical protection	Short circuit, signal against GND/0 V and protection against polarity reversal
Protection degree	IP67 and IP69k (dependent on the electrical connection used)
Material	
Housing	Stainless steel EN/DIN 1.4301
Membrane	Stainless steel EN/DIN 1.4548
Parts in contact with substances	Stainless steel EN/DIN 1.4548 / FKM (replaceable seal) *
Process connection	
Connection	¼ BSP ; ¼ NPT**
Tightening torque	Max. 35 Nm

* not for cable version

SCPS01 pressure switches

Pin assignment

DT04-3P

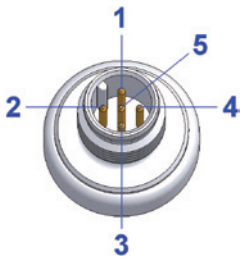
SCPS01-xxx-xx-0E



PIN	Assignment
A	V ₊
B	0 V / GND
C	S1 out
Housing	GND
Material	Plastic PBT-GF30 Ultradur B4300 G6 black
Protection class	IP67

M12x1

SCPS01-xxx-xx-05



PIN	Assignment
1	V ₊
2	Out 2
3	0 V / GND
4	S1 out & Prog.
5	n.c.*
Housing	GND
Material	Plastic PBT-GF30 Ultradur B4300 G6 black
Protection class	IP67

* n.c. = not connected

1 m fixed cable

SCPS01-xxx-xx-00



Cable	Assignment
bn	V ₊
black	S1 out & Prog.
blue	0 V / GND
white	Out 2
Housing	GND
Protection class	IP69k

bn = brown-braun / bk = black-schwarz /
bu = blue-blau / wh = white-weiß

Software

Adjustable parameters

- Each output individually adjustable
- Switching point / reset point
- Switching delay / reset delay
- NO/NC contact
- Hysteresis window

Displayable parameters

- Pressure range
- Current pressure
- Serial number
- Firmware

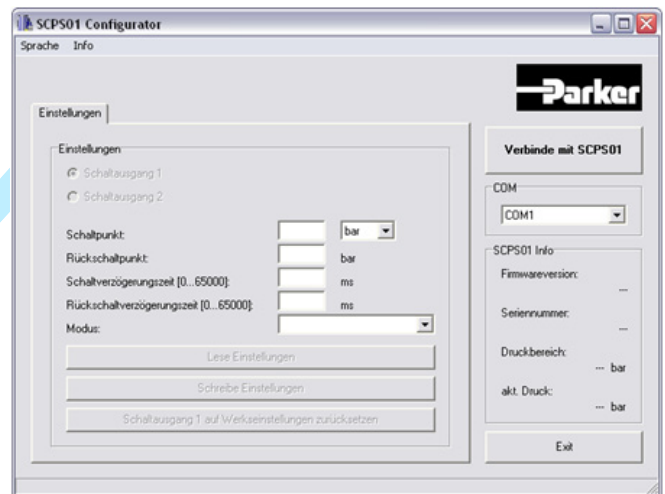
Standard setting

SP1 = 60 % FS rSP1 = 40 % FS

SP2 = 70 % FS rSP2 = 30 % FS

Connection

USB 2.0

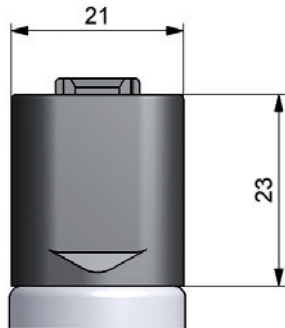


SCPS01 pressure switches

Dimensioned drawings

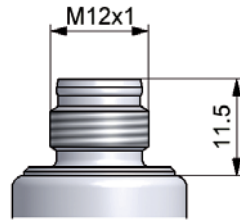
SCPS01-xxx-xx-05

DT04-3P



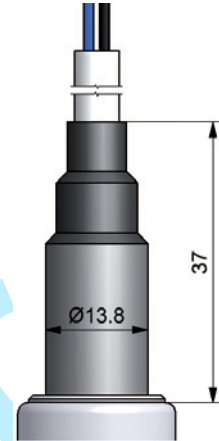
SCPS01-xxx-xx-0E

M12x1



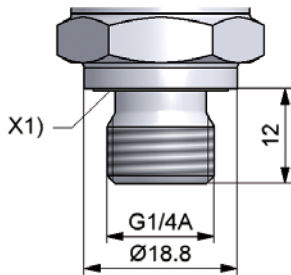
SCPS01-xxx-xx-00

Stationary cable (1 m)



SCPS01-xxx-x4-0x

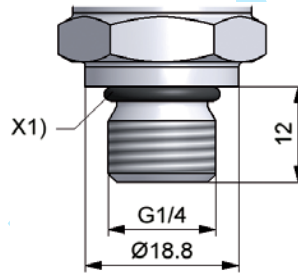
G 1/4, DIN 3852 T 11 (Form E)



X1) = ED-seal

SCPS01-xxx-x8-0x

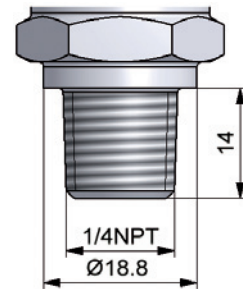
G1/4 O ring



X1) = O ring

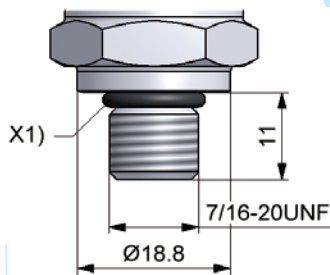
SCPS01-xxx-x5-0x

1/4 NPT



SCPS01-xxx-x7-0x

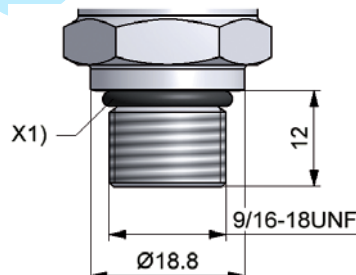
SAE 04 - O ring



X1) = O ring 8.92x1.83

SCPS01-xxx-x6-0x

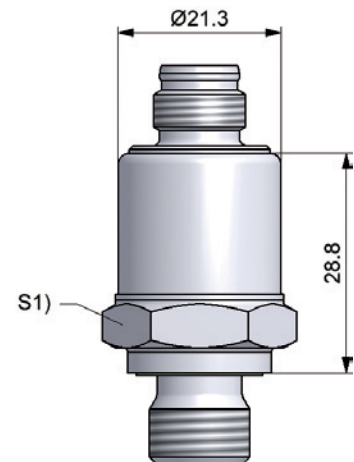
SAE 06 - O ring



X1) = O ring 11.89x1.98

SCPS01-xxx-xx-xx

M12x1



S1) = SW22

SCPS01 pressure switches

Order code

Pressure sensor SCPS01 **SCPS01-xxx-24-05**
 G 1/4 BSPP, 2 PNP, Circular connector M12x1

Pressure range	
0...25 bar	025
0...100 bar	100
0...250 bar	250
0...400 bar	400
0...600 bar	600
0...800 bar	800

Optional
 KIT with 25 sensors **SCPS01-xxx-24-05-KIT25**

Pressure sensor SCPS01 **SCPS01-xxx-xx-0x-KIT50**
 Kit with 50 sensors

Pressure range	
0...25 bar	025
0...60 bar	060
0...100 bar	100
0...250 bar	250
0...400 bar	400
0...600 bar	600
0...800 bar	800

Output signal	
1 x PNP	1
2 x PNP	2
1 x NPN	3
2 x NPN	4

Process connection	
G1/4 BSPP	4
1/4 NPT (P _n max. = 600 bar)	5
9/16-18 UNF, SAE 6 O ring (P _n max. = 400 bar)	6
7/16-20 UNF SAE-4 O ring (P _n max. = 400 bar)	7
G1/4 O ring (P _n max. = 600 bar)	8

Connecting plug	
Stationary cable 1 m	0
Circular connector M12x1 5-pole	5
Device plug DT04 3-pole	E

Accessories
 Programming kit **SCPS01-PRG-Kit**

Connection cable and single plug

Connection cable, assembled **SCK-400-xx-xx**
 (open cable end)

Cable length (m)	
2 m	02
5 m	05
10 m	10

Connecting plug	
M12 cable jack; straight	45
M12 cable jack; 90° angled	55

Single connector
 M12 cable jack; straight **SCK-145**
 M12 cable jack; 90° angled **SCK-155**

SCP-EX pressure sensors

Device features

- Measuring range 0 to 1000 bar
- ATEX approval for zone 1
 - II 2G Ex ia IIC T4
- Output signal 4 to 20 mA
- Outstanding reliability



The SCP-EX can be configured for Zone 0 and Zone 1. It corresponds to the directive 94/9/EC. In the event of a fault, appropriate circuitry ensures reverse polarity protection, over-voltage protection and power dissipation limitation. The sturdy, compact design and the high level of precision ensure a wide range of application possibilities.

We offer a variety of pressure transducers with combinations of different mechanical and electrical connections.

Zone 1: where explosive atmospheres as a mixture of air and combustible materials, gases, vapours or clouds can occur occasionally during normal operation.

Safety notice

Be sure to follow the applicable national safety regulations when assembling, commissioning and operating these pressure transducers.

Application examples

- Chemical industry
- Oil and gas industry
- Food and beverage products
- Plant construction and automation technology

SCP-EX pressure sensors

Technical data

SCP EX-	1.0	1.6	2.5	004	006	010	016	025	040	060	100	160	250	400	600	1.000
Pressure range P_n relative 0... (bar)	1.0	1.6	2.5	4	6	10	16	25	40	60	100	160	250	400	600	1000
Overload pressure* P_{max} relative (bar)	6	6	10	10	20	20	40	100	100	200	200	400	750	750	840	1200
Burst pressure** P_{burst} relative (bar)	9	9	15	15	30	30	60	150	150	300	300	600	1000	1000	1050	1500

* DIN EN 60770-1

** DIN 16086

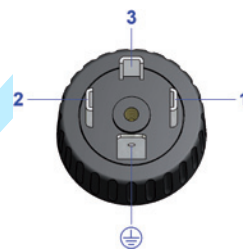
Process connection	
G1/4A BSPP; DIN 3852 T11, Form E; ED seal FKM	
Material	
Parts in contact with substances	Stainless steel
Housing	Stainless steel
Accuracy	
Including non-linearity, hysteresis, repeatability, zero-point and full-scale deviations (IEC 61298-2)	≤ 0.5 % FS
BFSL	≤ 0.25
ATEX approval, zone 1, EM compatibility	
Ignition protection category	II 2G Ex ia IIC T4
Underlying standard	EN 60079-0, EN 60079-11, EN 60079-26, EN 60079-14
Max. value of connection	27 V; 125 mA; 85 W
Temperature class	T4 (surroundings -40 to +85 °C)
CE	EC Directive 94/9/EC
General	
Response time	≤ 1 ms
Long-term stability	< 0.2 % FS/a
Weight	150 g

Ambient conditions	
Ambient temperature range	-40 to +85 °C
Compensated range	-20 to +85 °C
Storage temperature	-40 to +125 °C
Vibration resistance	20 g according to IEC 68-2-6 and IEC 68-2-36
Temperature coefficient	≤ ± 0.2 % FS/10 K
Shock resistance	1000 g according to IEC 68-2-32

Pin assignment

Device plug DIN EN 175301-803 Form A 4-pole (old 43650)

SCP-xxx-3x-06-EX1



PIN	Assignment
1	V ₊
2	P signal
3	n.c.
	n.c.

Protection class IP65

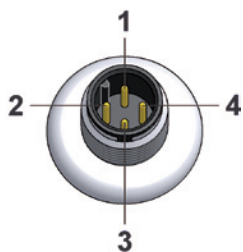
Output signal	4 to 20 mA (2-wire)
Auxiliary power V ₊	+20...27 VDC
Max. load	< (V ₊ - 16 V) / 20 mA minimum 100 Ω

SCP-EX pressure sensors

Pin assignment

Circular connector M12x1 4-pole

SCP-xxx-3x-07-EX1



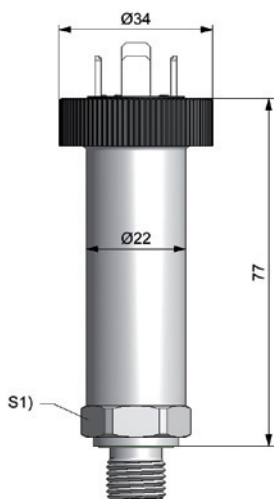
PIN	Assignment
1	V ₊
2	n.c.
3	P signal
4	n.c.

Protection class IP65

Dimensioned drawings

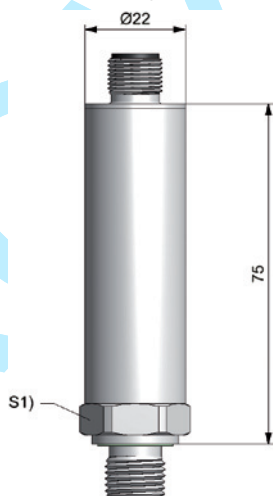
SCP-xxx-3x-06-EX1

Device connector DIN EN 175301-803 Form A
4-pole (old 43650)



SCP-xxx-3x-07-EX1

Circular connector M12x1; 4-pole

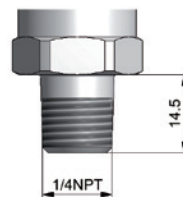


S1) = 22

Dimensioned drawings

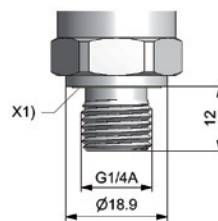
SCP-xxx-35-0x-EX1

1/4 NPT



SCP-xxx-34-0x-EX1

G1/4 BSPP



X1) = ED seal

Order code

Pressure sensor SCP-EX

SCP-xxx-3x-0x-EX1

Pressure range (bar)*

1.0	001
1.6	01.6
2.5	02.5
4	004
6	006
10	010
16	016
25	025
40	040
60	060
100	100
160	160
250	250
400	400
600	600
1000	1000

* Refer to page 102 "Pressure range selection"

Process connection

G1/4 BSPP	4
1/4 NPT (P _n max. = 600 bar)	5

Connecting plug

Circular connector M12x1 4-pole	7
Device connector DIN EN 175301-803 Form A 4-pole	6

SCT-150 temperature sensors

Device features

- Withstands pressures up to 630 bar
- Compact design
- Heavy-duty steel housing
- Simple installation
- -25 °C to +100 °C



The SCT electronic temperature sensor features a compact design and high pressure resistance.

The SCT is used where temperatures have to be measured under high pressure and a compact housing is necessary.

With its pressure resistance up to 630 bar, the SCT temperature sensor is well suited for hydraulic applications.

It can be used for precise and quick temperature measurements.

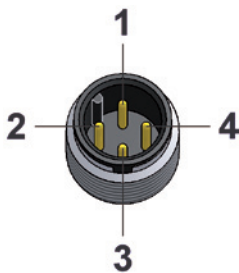
The SCT series temperature sensors are compatible with the SCE panel meters. So both the hydraulic pressure and the substance temperature can be measured, checked and evaluated.

SCT-150 temperature sensors

Technical data

Input	
Measuring range	-25 to +100 °C
Accuracy	< ± 7 K
Response time	$\tau_{0,9} = 13.5$
Output	
Output _T	0 to 20 mA = -50 to +125 °C
Load	≤ 250 Ω
Process connection	
Process connection	G1/4A ED
Seal	FKM
Housing	Steel C15K/CF
Operating pressure P _n	630 bar
Parts in contact with sub- stances	Steel C15K/CF, FKM
Ambient conditions	
Power supply V ₊	+11 to +24 VDC
Current consumption	< 30 mA
Ambient temperature range	-20 to +70 °C
Fluid temperature range	-25 to +125 °C
Storage temperature	-25 to +80 °C
Electrical connection	M12x1
Protection degree	IP67

Pin assignment

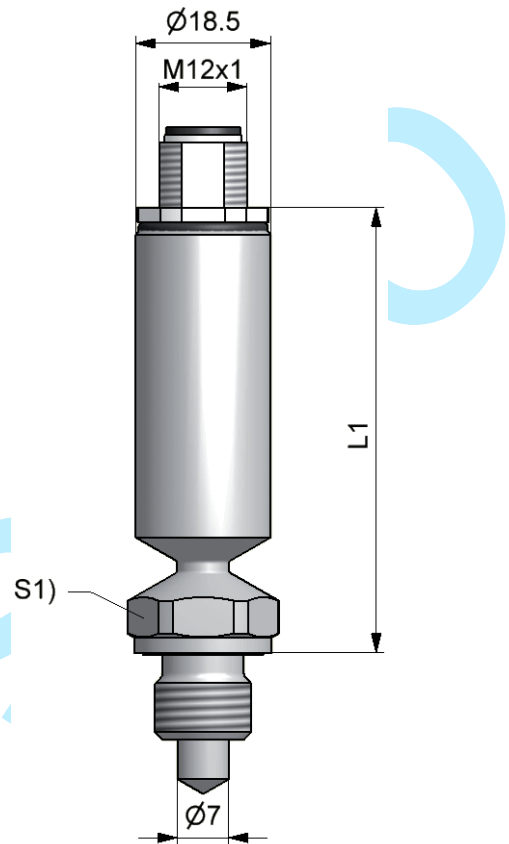


Cable	Assignment
1	V ₊
2	T signal
3	0 V / GND
4	n.c.

Dimensioned drawings

SCT-150-41-07

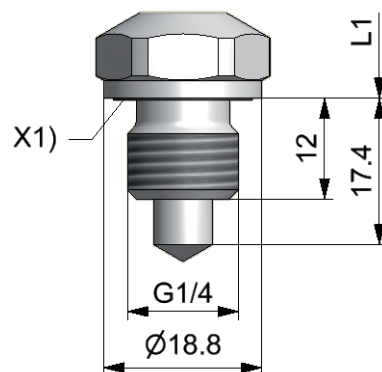
Circular connector M12x1; 4-pole



S1) = 19

SCT-150-41-07

G1/4A ED



L1) = 61

X1) = ED seal

Order code

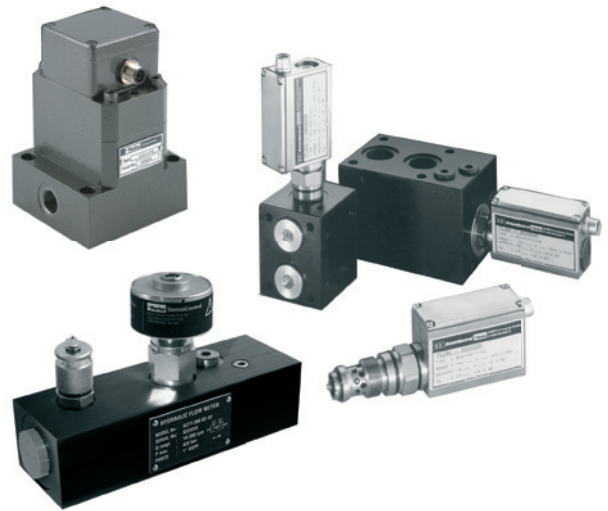
Temperature sensor

SCT-150-41-07

Volumetric flow rate sensors

Device features

- Different measurement techniques
 - Quick
 - Not dependent on viscosity
 - Without loss
- Many measurement ranges
- Analogue output signal
- M12 connecting plug
- 24 VDC



The flow sensors used in **SensoControl®** provide accurate volume flow information in hydraulic systems (e.g. in testing equipment).

The sensors deliver a output signal that is proportional to the volumetric flow rate for further processing to an electronic system. They are compatible with conventional, well-known standards.

- M12 connecting plug
- 24 VDC
- 0/4 to 20 mA

The volumetric flow rate can be easily displayed when using the **SCE-020** panel meter.




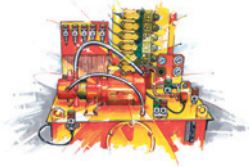
In order to meet the many different application requirements, three different measuring principles are available:

- **SCVF** geared counter
- **SCFT** turbine
- **SCQ** spring/piston

The volumetric flow rate sensors are used in control, regulation or monitoring systems where analogue signals are needed to capture the volume flow.

Volumetric flow rate sensors

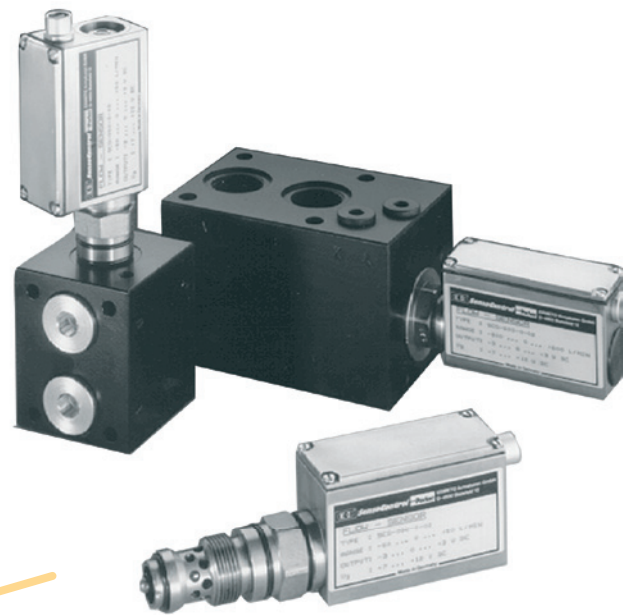
Overview

	SCQ	SCFT	SCVF
Range of use	 <p>For quick flow changes</p> <p>Measures in both directions</p> <ul style="list-style-type: none"> Response speed ≤ 2 ms Reverse operation Wide viscosity range Compact size Up to 420 bar 	 <p>Low loss measuring of volume flow</p> <ul style="list-style-type: none"> Response speed ≤ 50 ms Many measurement ranges Low flow resistance Up to 800 l/min Up to 420 bar 	 <p>Measures different substances</p> <p>Measures lower volume flows (leakage measurements)</p> <ul style="list-style-type: none"> Very wide measurement range Not dependent on viscosity Up to 400 bar
Applications	<ul style="list-style-type: none"> Test rigs General machine construction Hydraulic plant construction 		
Order code	SCQ-xxx-10-07	SCFT-xxx-22-07	SCVF-xxx-10-07
Refer to page	30-33	34-37	38-43

SCQ flow meter

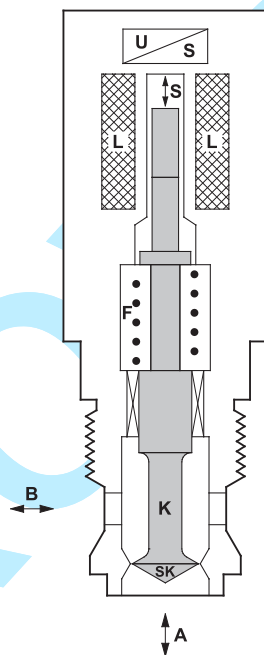
Device features

- Measurement principle Spring/piston principle
- Response time ≤ 2 ms
- Measurement in both directions
- Wide viscosity range
- Compact design
- Withstands pressures up to 420 bar



Function

The piston (K) is moved due to a flow from A to B or from B to A. In the idle state, the spring (F) and the piston (K) are in equilibrium. The delta (S) is proportional to the flow and is converted to a value through the built-in electronics. Through the change in direction of the piston (B to A), the flow direction can be indicated. (e.g. -45.8 l/min) The reaction time of the piston movement is less than 2 ms.



SCQ measurement principle

Application

When working with high-pressure hydraulics, it is very important to be able to quickly detect the flow rate.

Installation with a connection block permits the combined measurement of p, T and Q. Rapid assembly of the **SCQs** is achieved with an in-line adaptor for tube or hose installation. Use under extreme conditions (such as high load changes or rapid pressure increases) is possible because of the sturdy construction.

The **SCQ** is the perfect solution when recording highly dynamic volume flow changes. Rapid load changes, which can cause damage for example in valves and pumps, can be safely detected. Due to its unique measurement process, the **SCQ** can capture volume flow in both directions.

SCQ flow meter

Technical data

SCQ-	060	150
Measuring range QN	-60 to +60 l/min	-150 to +150 l/min
Qmax	-66 to +66 l/min	-165 to +165 l/min
Substance connection	M24 (NG10)	M42 (NG16)
Weight (g)	670	1050

Accuracy

Deviation from characteristic curve	±2 % FS @ 46cSt.
Response time	2 ms
Thermal drift	±0.05 % FS/°C
Repeat accuracy	± 0.5 % FS

Resistance to pressure

Pressure range	3 to 420 bar
Operating pressure P_n	315 bar
Overload pressure P_{max}	420 bar
Pressure drop ΔP (bar) @ (FS)	Refer to diagram

Material

Housing	Steel
Seal	NBR
Parts in contact with substances	Steel, NBR

Ambient conditions

Operating temperature	+10 to +60 °C
Storage temperature	-20 to 80 °C
Tmax Fluid	+80 °C
Filtration	25 µm
Viscosity range	15 to 100 cSt.
Protection degree	IP67 DIN EN 60529

Electrical connection

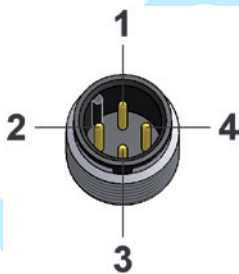
Plug	M12x1; 4-pole
Supply voltage	+18 to +30 VDC
Current consumption	40 mA
Output	0 to 20 mA = -FS to +FS (10 mA = 0 l/min)
Load	≤ 150 Ω
Signal noise	< 5 mV

EM compatibility

Disturbance emissions	EN 61000-6-3
Resistance to interference	EN 61000-6-2

Pin assignment

M12x1; 4-pole



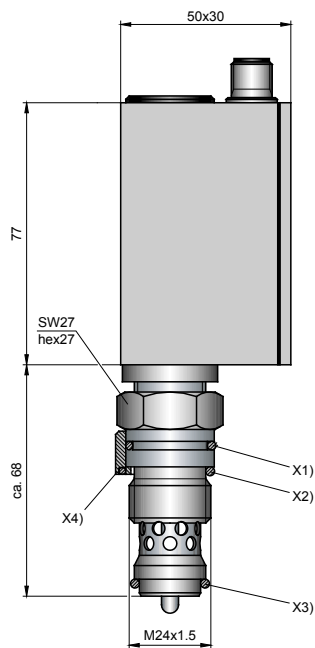
PIN	Assignment
1	V_+
2	Q signal
3	0 V / GND
4	-

SCQ flow meter

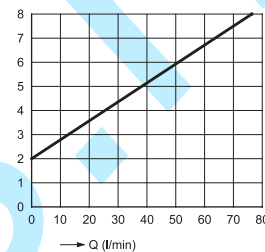
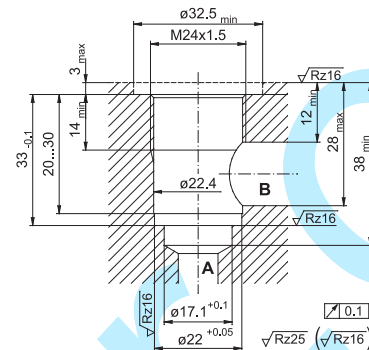
Dimensioned drawings

Screw plug hole and pressure-drop curve **SCQ-060**

20 Nm torque

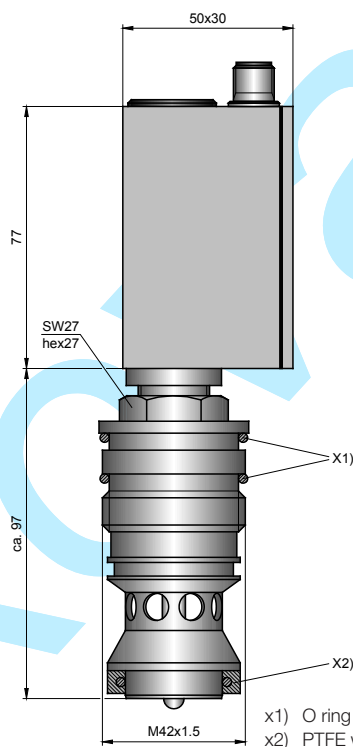


- x1) O ring 21.95x1.78
- x2) O ring 20.29x2.2
- x3) O ring 15.54x2.62
- x4) O ring

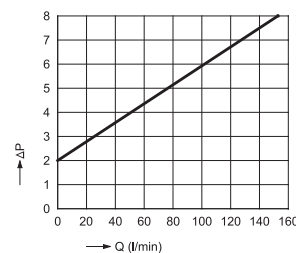
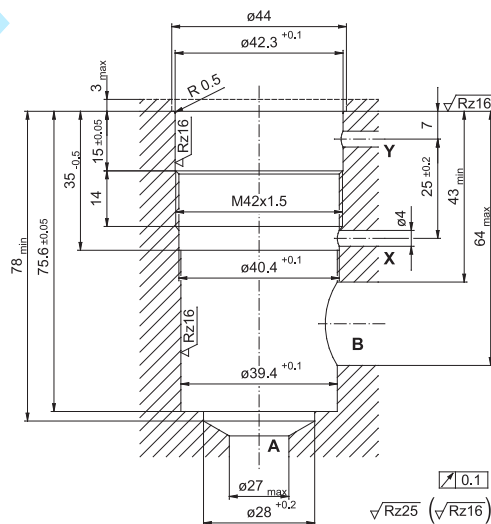


Screw plug hole and pressure-drop curve **SCQ-150**

30 Nm torque



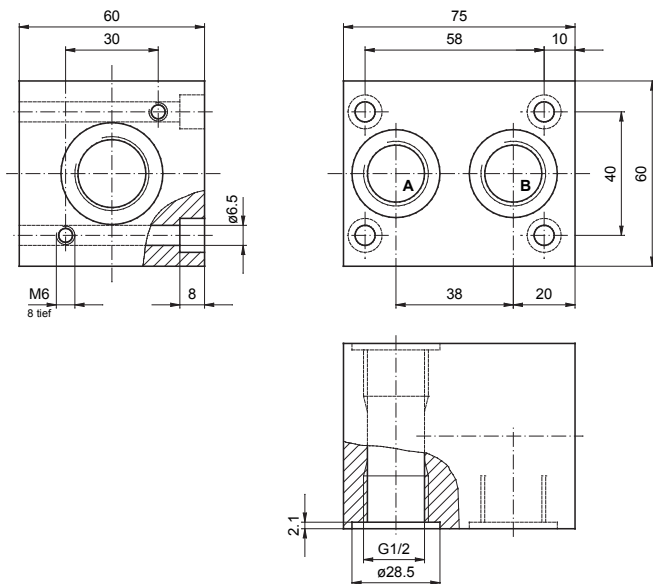
- x1) O ring 36.17x2.62
- x2) PTFE with O ring 2.64x2.62



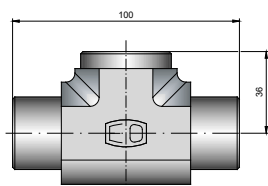
SCQ flow meter

Dimensioned drawings

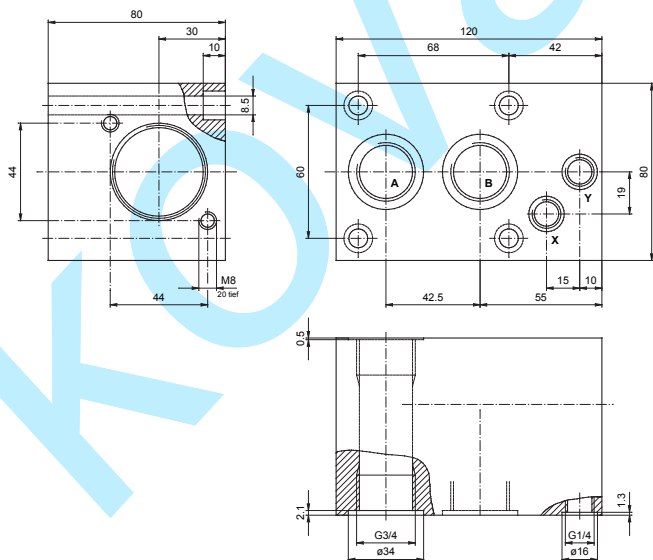
SCAQ-060



SCAQ-GI-R1/2



SCAQ-150



Order code

SCQ-060 (-60 to +60 l/min)

SCQ-060-10-07

M12x1, 4-pole; connecting plug; IP67
0 to 20 mA; -60 to +60 l/min (including spacer ring)

Accessories SCQ-060

IN-LINE adapter
G1/2 BSPP inner (A-B) and M24 inner
With screw plug:
M24 outer (SCQ-M24X1,5-ED)

Connector block
G1/2 BSPP inner (A-B) and M24 inner
With screw plug:
M24 outer (SCQ-M24X1,5-ED)
G1/2 BSPP outer (A-B) (SCQ-R1/2-ED)

SCQ-150 (-150 to +150 l/min)

SCQ-150-10-07

M12x1, 4-pole; connecting plug; IP67
0 to 20 mA; -150 to +150 l/min

Accessories SCQ-150

Connector block
G3/4 BSPP inner (A-B) and M24 inner
With screw plug:
M42 outer (SCQ-M42X1,5-ED)
G3/4 BSPP outer (A-B) (SCQ-R3/4-ED)

Spare parts

Spacer ring for SCQ-060
Seal kit for SCQ-060
Seal kit for SCQ-150

SC-910

SC-911

SC-912

Connection cable and single plug

Connection cable, assembled

SCK-400-xx-xx

(open cable end)

Cable length (m)

2 m	02
5 m	05
10 m	10

Plug

M12 cable jack; straight	45
M12 cable jack; 90° angled	55

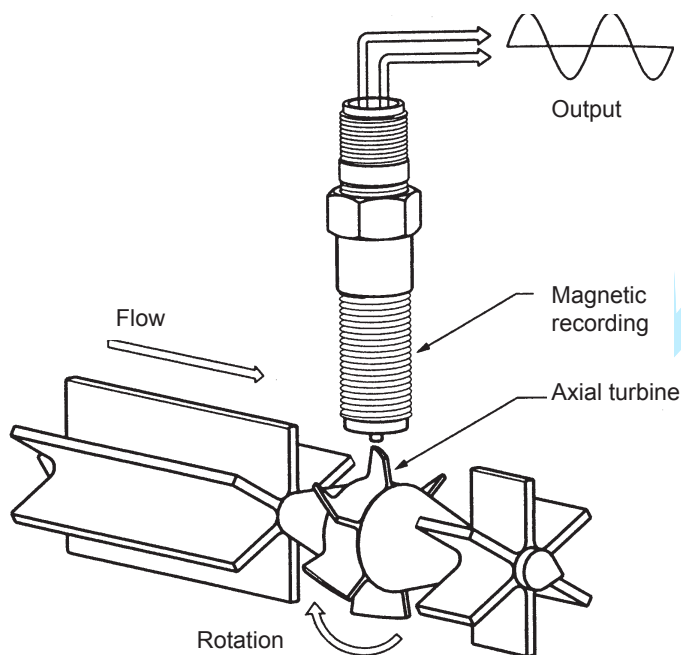
Single connector

M12 cable jack; straight	SCK-145
M12 cable jack; 90° angled	SCK-155

SCFT measurement turbine

Device features

- Measurement principle: Turbine
- Response speed ≤ 50 ms
- Measurement range from 1 to 800 l/min
- Low flow resistance
- Suitable for reverse operation
- Built-in pressure and temperature ports



Function

The turbine wheel is driven by the oil flow. The generated frequencies are processed through the digital electronics and influences from the disturbing flow effects are compensated for. Because of the low flow resistance Q_R , the hydraulic circuit operates with very low losses.

Reverse operation is also possible because of the special vane (winged) design - so the turbine can be operated in both directions.

The turbine is fitted with an EMA-3 screw coupling for measuring pressure. Oil temperature can be measured directly in the oil flow of the turbine by connecting the temperature sensor (**SCT-150**). This provides all important measurements at the installation location.

Application

The **SCFT** is the ideal solution if the volumetric flow rate needs to be recorded loss-free across a wide flow range (up to 800 l/min.).

Volumetric flow rate sensors



SCFT measurement turbine

Technical data

SCFT-	015	060	150	300	600	800
Flow measuring range Q _n (l/min)	1 to 15	3 to 60	5 to 150	8 to 300	15 to 600	20 to 800
Accuracy (± %) FS/IR @ 21cSt.	± 1 % FS	± 1 % IR	± 1 % IR	± 1 % IR	± 1 % IR	± 1 % IR
Operating pressure P _n (bar)	350	350	350	350	290	400
Ports (A - B)	G1/2 BSPP	G3/4 BSPP	G3/4 BSPP	G1 BSPP	G1 1/4 BSPP	G1 7/8 UNF
Pressure drop ΔP (bar) @ (FS)	1.5	1.5	1.5	4	4	5
Weight (g)	650	750	750	1200	1800	2100

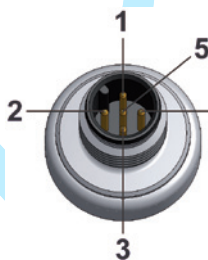
FS = Full Scale
IR = Indicated Reading

Accuracy	
Response time	50 ms
Thermal drift	±0.05 % FS/°C
Repeat accuracy	± 0.5 % FS
Resistance to pressure	
Q _{max} (l/min)	Q _N x 1.1
Overload pressure P _{max}	P _N x 1.2
Material	
Housing	Aluminium
Seal	FKM
Parts in contact with substances	Aluminium, steel, FKM
Ambient conditions	
Ambient temperature	+10 to +50 °C
Storage temperature	-20 to +80 °C
T _{max} Fluid	-20 to +80 °C
Filtration	25 μm (10 μm for SCFT-015)
Viscosity range	15 to 100 cSt.

Ports	
Temperature measurement (SCT-150-14-07)	M10x1 OR
Pressure (EMA-3 connection)	M16x2
Pressure (VSTI)	G1/4 BSPP
Electrical connection	
Plug	M12x1; 5-pole
Power supply V ₊	18 to 30 V
Output signal	4 to 20 mA ± 0 to FS l/min
Complete output current range	0 to 21 mA
Current consumption	< 30 mA

Pin assignment

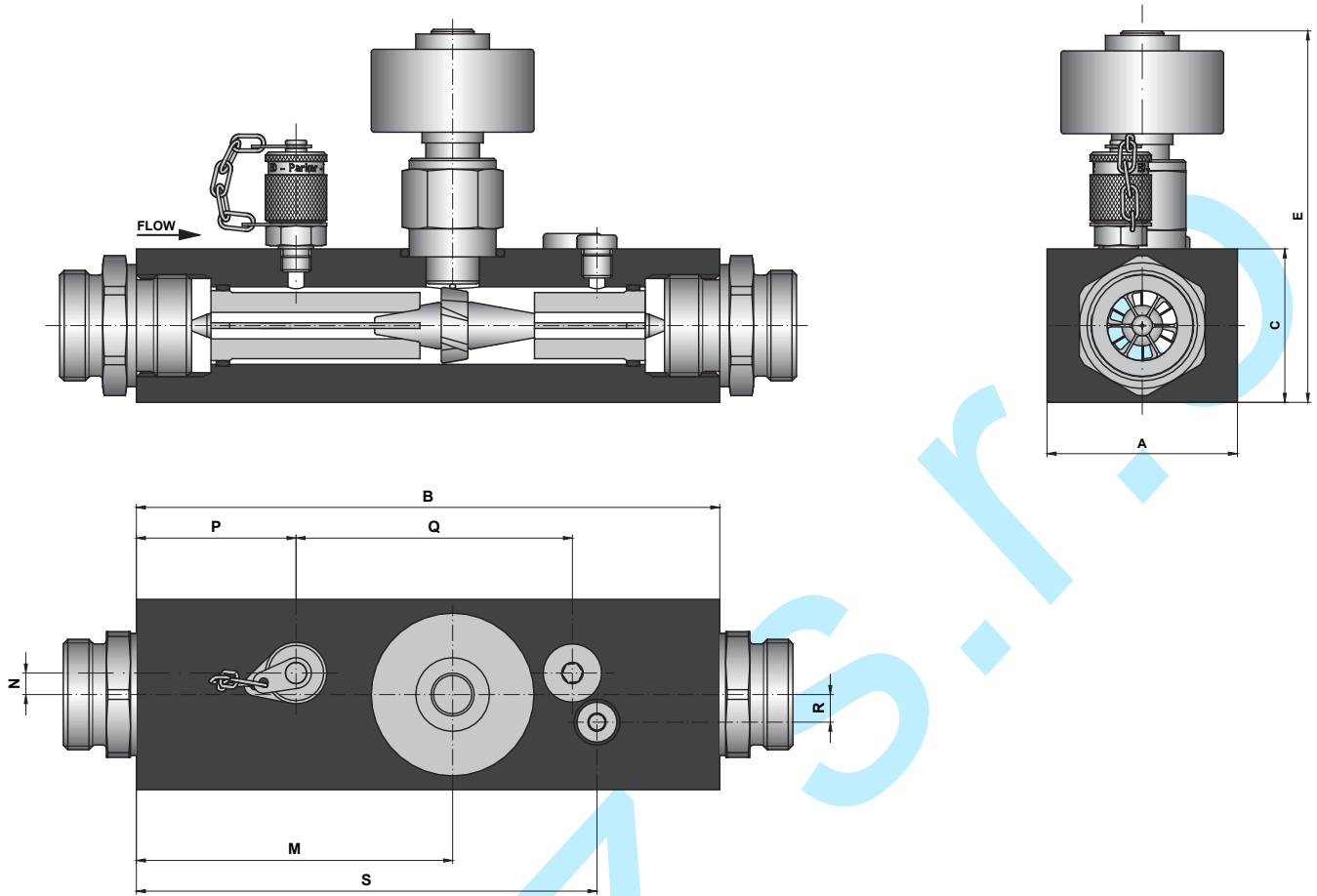
M12x1; 5-pole



PIN	Assignment
1	V ₊
2	n.c.
3	Q signal
4	n.c.
5	0 V / GND

SCFT measurement turbine

Dimensioned drawings



#	SCFT-015	SCFT-060	SCFT-150	SCFT-300	SCFT-600	SCFT-800
A	37	62	62	62	62	100
B	136	190	190	190	212	212
C	37	50	50	50	75	75
E	115	130	130	134	149	152
M	70	103	103	103	127	126
N	0	5	5	7	9	10
P	25	50	50	52	62	60
Q	N/A	92	92	90	106	104
R	0	5	5	9	11	10
S	115	157	157	150	168	181

SCFT measurement turbine

Order code

SCFT

M12x1, 4-pole; connecting plug; IP67

4 to 20 mA (3-wire)

1 to 15 l/min

4 to 60 l/min

6 to 150 l/min

10 to 300 l/min

20 to 600 l/min

25 to 800 l/min

SCFT-015-22-07

SCFT-060-22-07

SCFT-150-22-07

SCFT-300-22-07

SCFT-600-22-07

SCFT-800-22-07

Connection cable and single plug

Connection cable, assembled

(open cable end)

SCK-400-xx-xx

Cable length (m)

2 m

5 m

10 m

02

05

10

Plug

M12 cable jack; straight

M12 cable jack; 90° angled

45

55

Single connector

M12 cable jack; straight

M12 cable jack; 90° angled

SCK-145

SCK-155

SCVF volume counter

Device features

- Measurement principle: Volume/geared counter
- Eight measurement ranges from 0.01 - 2 to 1 - 300 l/min
- Accuracy ± 0.5 % FS
- Withstands pressures up to 400 bar
- High viscosity range
- Low noise
- Exact flow rate measurement over a wide viscosity range
- Versatile usage for different substances



Gear counter for highly accurate flow rate measurements in hydraulic systems

Function

The SCVF geared counter functions as a volume flow meter. A very precisely crafted pair of geared wheels is driven by the fluid flow.

The SCVF works over a wide viscosity range. Different seals permit usage in many different applications.

Applications

Due to the wide viscosity range, any liquid can be measured that can be pumped and has a certain degree of lubricating capability.

- Brake fluid (EPDM seal)
- Skydrol
- Mineral oils
- Hydraulic oil and
- Grease

The SCVF is the ideal solution when carrying out precise flow rate measurements over a wide viscosity range.

KOVAN

SCVF volume counter

Technical data

SCVF-	002	004	015	060	080	150	300
Flow measuring range (l/min)	0.01 to 2.0	0.02 to 4.0	0.2 to 15	0.4 to 60	0.4 to 80	0.6 to 150	1.0 to 300
Pressure range P _N (bar)	400	315	400	400	400	315	315
Overload pressure P _O (bar)	480	400	480	480	480	350	350
Connection	G3/8 BSPP	G3/8 BSPP	G3/8 BSPP	G1/2 BSPP	G1/2 BSPP	G1 BSPP	G1 BSPP
Sound level dB (A)	< 60	< 60	< 60	< 70	< 70	< 70	< 72
Resolution (pulses / litre)	40,000	25,000	4082	965	965	333.33	191
Frequency (Hz) @ FS	1333.33	1666.66	1020.5	965	1286.6	833.33	955

Accuracy

Deviation from characteristic curve	± 0.5 % FS at 20 cSt.
Response time*)	< 10 ms
Repeat accuracy	0.01 % FS
Substance **	Hydraulic oil (25 micron filter)

Material

	Material 1.7139 Contains no non-ferrous metal or silicone
Housing	Steel
Seal	FKM EPDM on request

Ambient conditions

Ambient temperature	0 to +55 °C
Storage temperature	-25 to +85 °C
Fluid temperature	-30 to 120 °C
Viscosity range	Refer to diagram p. 40
Protection degree	IP65 DIN EN 60529

FS = Full scale value

*) In combination with a signal converter

**) When using other substances, please state the viscosity range and the type of seals. (Attach the data sheet of the substance if possible)

Electrical connection

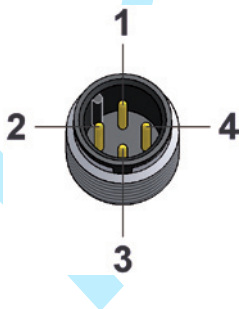
Plug	M12x1; 4-pole
Power supply V ₊	+18 to +30 VDC
Current consumption	< 28 mA
Output signal	0 to 20 mA ± 0 to FS l/min
Load	≤ 150 Ω

EM compatibility

Disturbance emissions	EN 61000-6-3
Resistance to interference	EN 61000-6-2

Pin assignment

M12x1; 4-pole

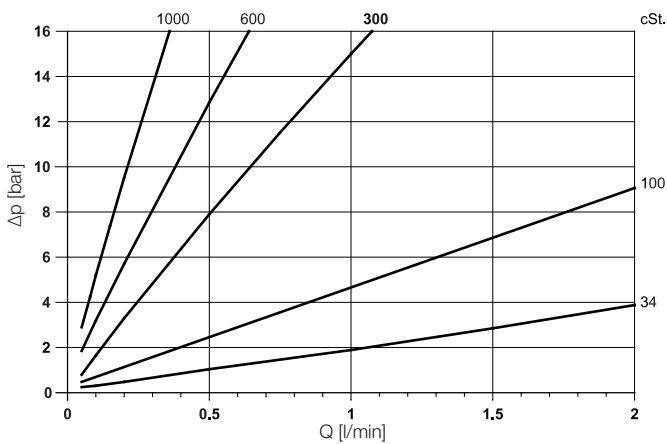


PIN	Assignment
1	V ₊
2	Q signal
3	0 V / GND
4	-

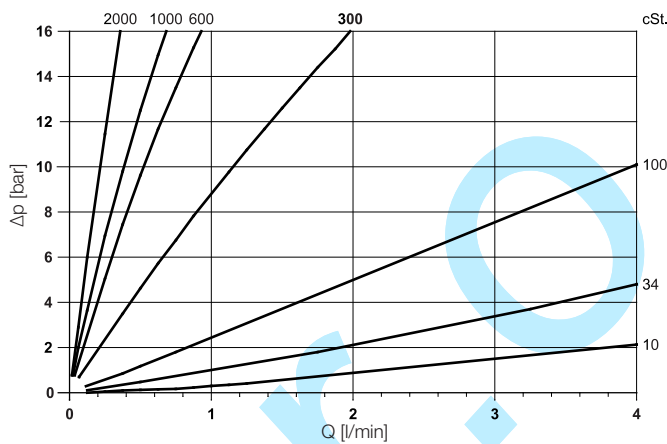
SCVF volume counter

Technical data

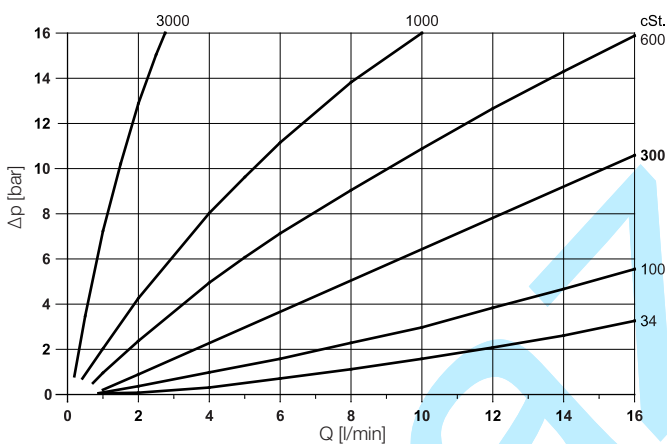
SCVF-002 Δp - Viscosity



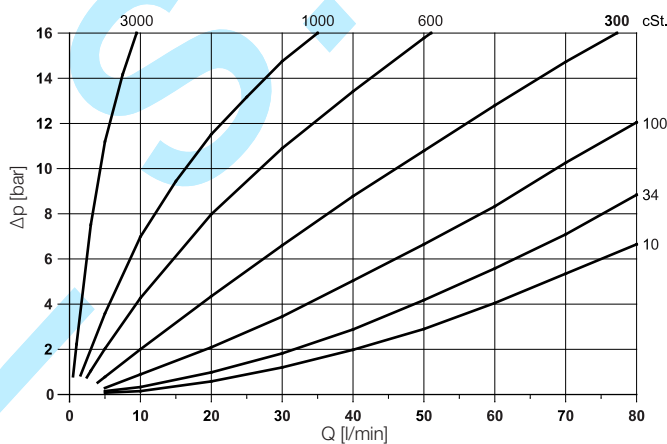
SCVF-004 Δp - Viscosity



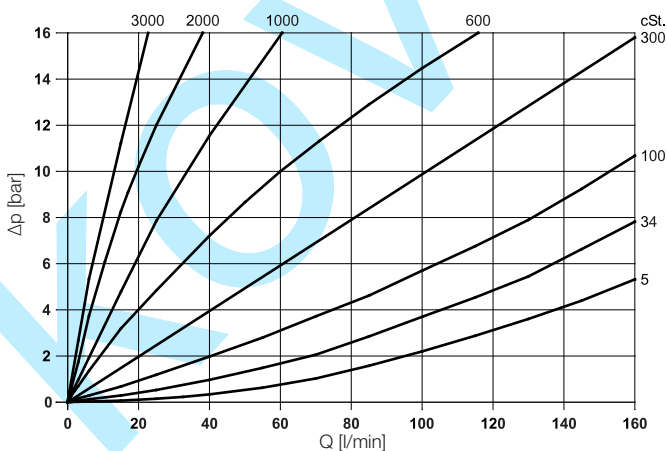
SCVF-015 Δp - Viscosity



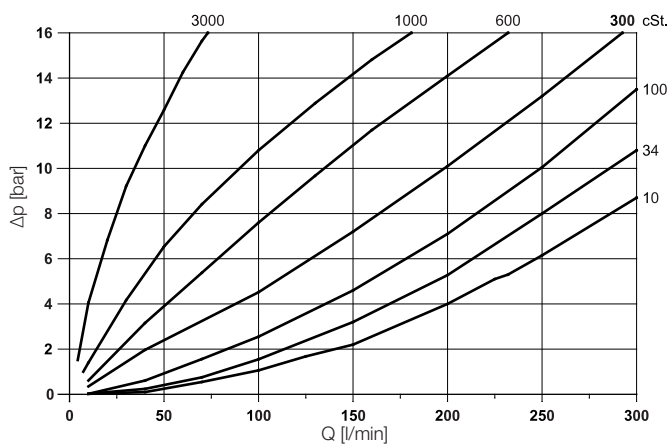
SCVF-040/060/080 Δp - Viscosity



SCVF-150 Δp - Viscosity



SCVF-300 Δp - Viscosity



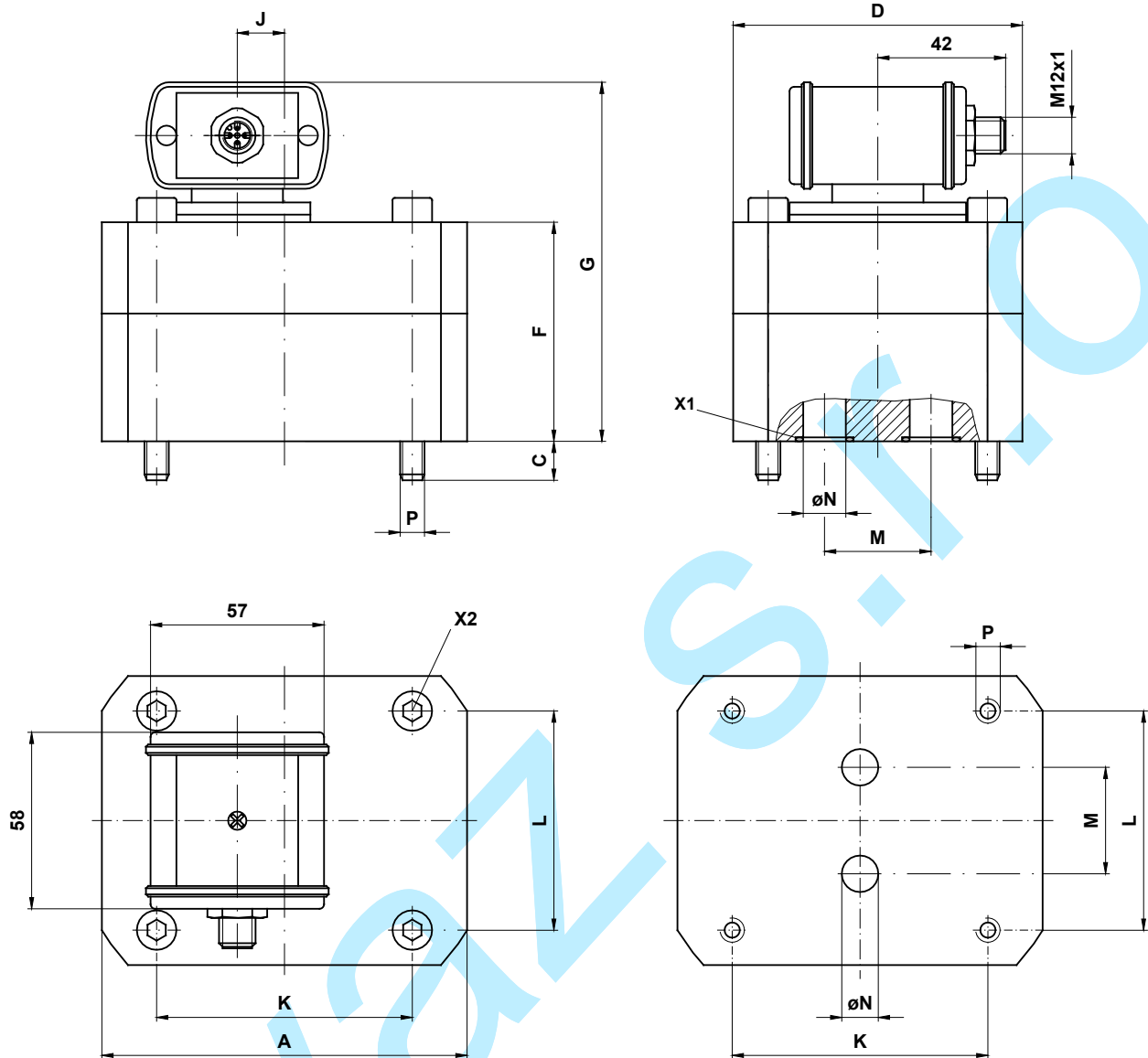
Δp = pressure loss



Volumetric flow rate sensors

SCVF volume counter

Dimensioned drawings

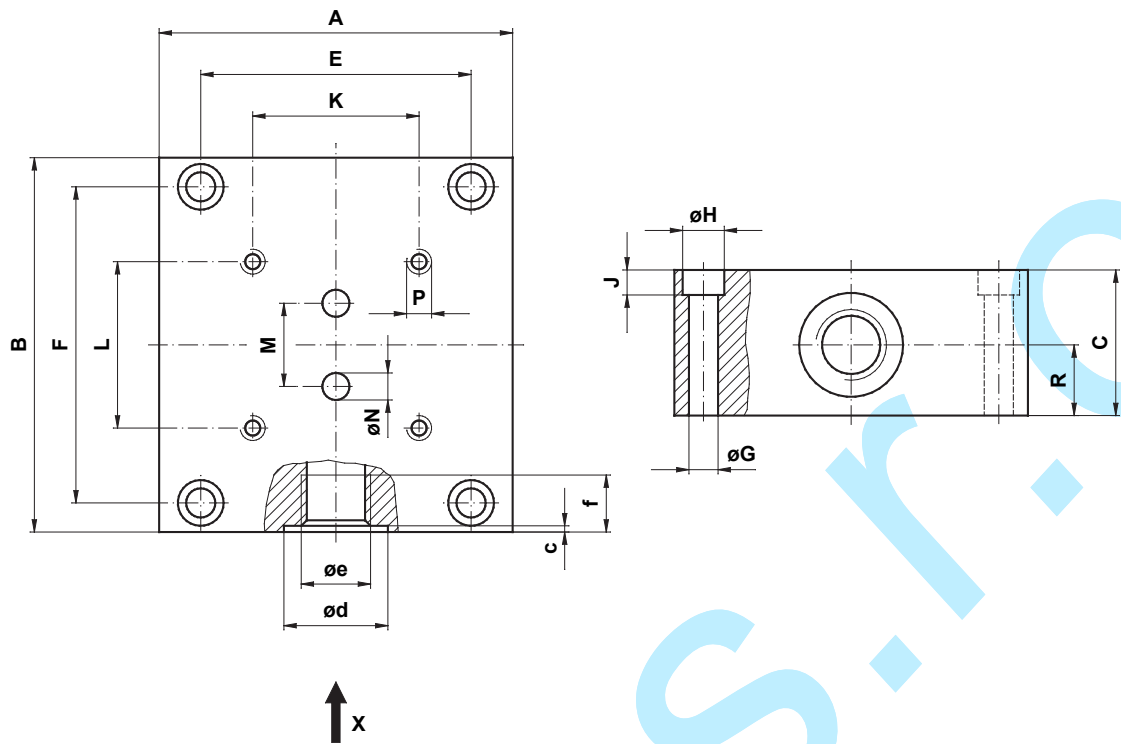


Type	Weight [kg]	Torque [Nm]	A	C	D	F	G	J	K	L	M	$\varnothing N$	P
SCVF-002	1.8	14	85	10	60	50	87	-	70	40	20	6.5	M6
SCVF-004	2	14	85	9	60	56	-	-	70	40	20	6.5	M6
SCVF-015	2	14	85	13	60	57	94	-	70	40	20	9	M6
SCVF-040	5.2	35	120	13	95	72	109	10.5	84	72	35	16	M8
SCVF-060													
SCVF-080													
SCVF-150	9	120	170	18	120	89	140	46.5	46	95	50	25	M12
SCVF-300	13	120	170	22	120	105	142	40	46	95	50	25	M12

All measurements in mm

SCVF volume counter

Dimensioned drawings



Type	kg	A	B	C	E	F	øG	øH	J	K	L	M	øN	P	R	c	ød	øe BSPP	f
SCVF-002 SCVF-004 SCVF-015	1.8	85	90	35	65	76	7	11	7	70	40	20	6.5	M6/t = 14	17	0.7	25	G3/8	13
SCVF-040 SCVF-060 SCVF-080	2.9	100	120	37	80	106	7	11	7	84	72	35	12	M8/t = 18	17.5	0.7	29	G 1/2	15
SCVF-150 SCVF-300	14	160	165	80	140	145	9	15	9	46	95	50	25	M12/t = 24	28	1	42	G1	19

All measurements in mm

SCVF volume counter

Order code

SCVF

M12x1, 4-pole; connecting plug; IP67

0 to 20 mA

0.01 to 2 l/min

0.02 to 4 l/min

0.2 to 15 l/min

0.4 to 40 l/min

0.4 to 60 l/min

0.4 to 80 l/min

0.6 to 150 l/min

1 to 300 l/min

SCVF-002-10-07

SCVF-004-10-07

SCVF-015-10-07

SCVF-040-10-07

SCVF-060-10-07

SCVF-080-10-07

SCVF-150-10-07

SCVF-300-10-07

Connection cable and single plug

Connection cable, assembled

(open cable end)

Cable length (m)

2 m

5 m

10 m

SCK-400-xx-xx

02

05

10

Plug

M12 cable jack; straight

M12 cable jack; 90° angled

45

55

Single connector

M12 cable jack; straight

M12 cable jack; 90° angled

SCK-145

SCK-155

SCE-020 digital display unit

Device features

- Easily readable digital display:
 - Large
 - Bright
- Programmable
- Unit of measure can be selected
- Adjustable display range
- Input:

Current	0/4 to 20 mA
Voltage	0 to 10 V
Frequency	0 to 8 kHz
- Switching output
- Loop-through function:
 - Analogue output
 - Serial interface
- Standard housing 96 x 48 mm

Diverse connections, a flexible display and many outputs are the features of the digital display SCE.

The SCE-020 converts standard analogue signals (in the range 0 to 10 V up to 0/4 to 20 mA) into clearly readable measurement values or units.

The **SCE-020** can be used to easily display every desired sensor. (pressure, temperature, torque, length, etc.)

Functions

The display can be read from a long distance. The measurement range and the decimal point can be adjusted to fit user requirements so that different measurement values can be displayed.

The accompanying units are mounted on a separate illumination area.

The power supply varies from 11 to 30 VDC.

An adjustable limit value be monitored using the floating switching output.



Loop-through function

The analogue output or the RS232 serial interface can forward the signal to the appropriate peripheral.

The SCE-020 display unit can be used when different measurement values need to be displayed in a simple and flexible manner.

SCE-020 digital display unit

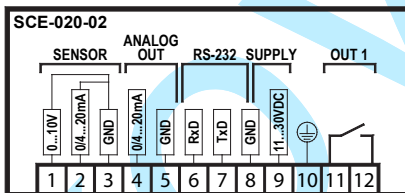
Technical data

	SCE-020-2
Input	0 to 20 mA, 4 to 20 mA or 0 to 10 V
Input resistance	0 to 20 mA = 150 Ω, 4 to 20 mA = 150 Ω, 0 to 10 V = 67 KΩ
Analogue output	0 to 20 mA, 4 to 20 mA
Analogue output load	≤ 500 Ω
Interface	RS-232C
Limit value	Floating CO contact 250 V/5 A max.

Input	
Measurement error	± 0.2 % of the display °± 1 digit
Measurement rate	5 ms
	Threshold query every 5 ms
Measuring range	Freely selectable (programmable)
Display	
Display	4-digit 7-segment LED
Display range	-999 to 9999
Digit height	13 mm
Decimal point	Freely programmable
Dimension display	Selectable, by attaching a dimensioning label to the appropriate illumination area
Ambient conditions	
Operating temperature range	0 to +60 °C
Storage temperature range	-25 to +80 °C
Relative humidity	< 80 %
Protection degree	IP44 according to DIN 40050

Power supply	
Auxiliary Power	11 to 30 VDC
Current consumption	Approx. 100 mA
Housing	
Material	PC ABS black Self-extinguishing according to UL94V0, For table and console installation
Front dimensions	96 x 48 mm
Installation depth	131 mm
Connection	12 -pole terminal block with wire protection, max. 1.5 mm ²
Mounting position	As required
Weight	Approx. 200 g

Pin assignment

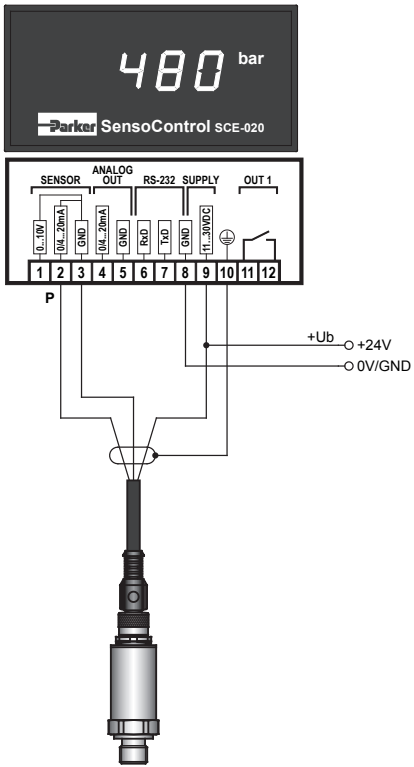


SCE-020 digital display unit

Connection examples (0/4 to 20 mA)

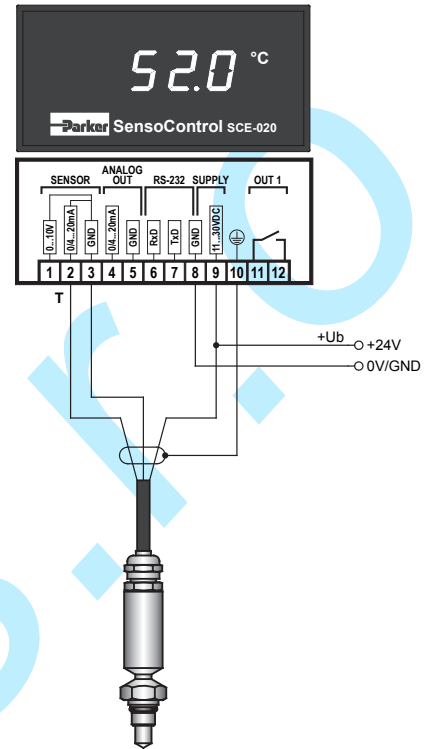
SCE-020-02

Pressure sensor SCP



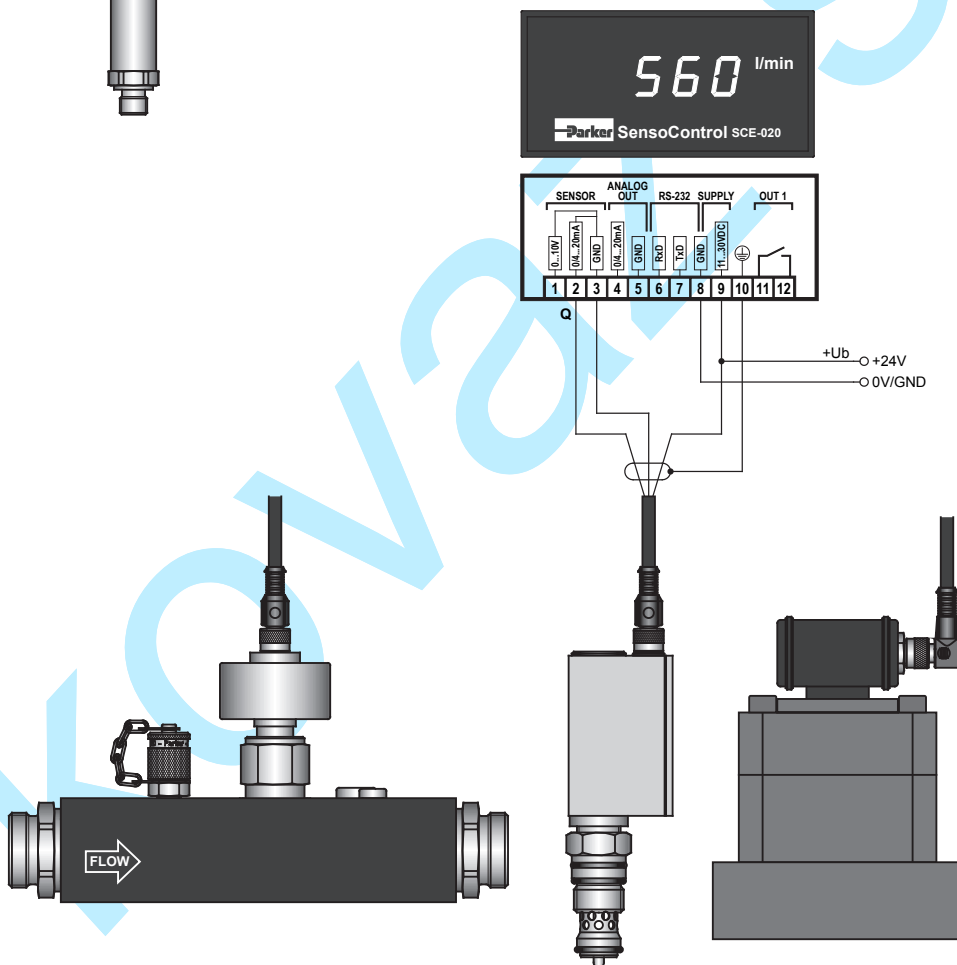
SCE-020-02

Temperature sensor SCT



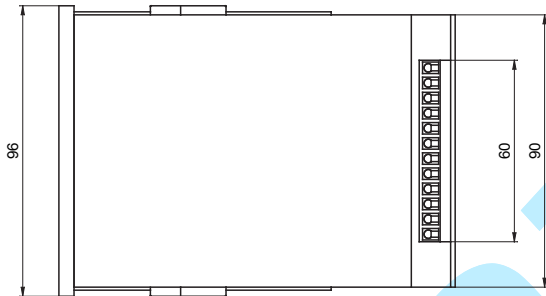
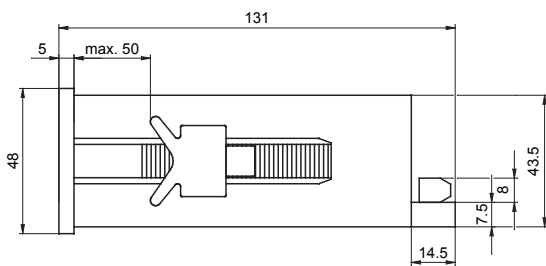
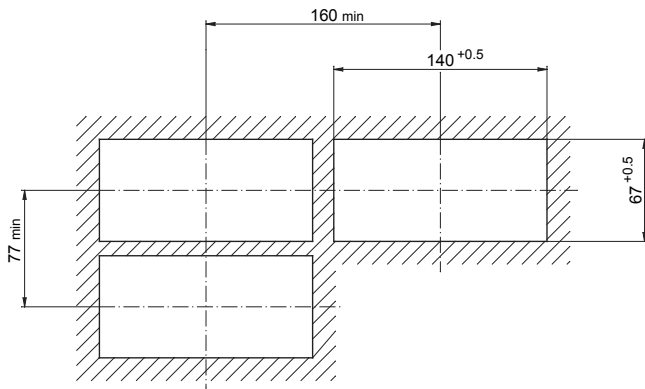
SCE-020-02

Flow sensor



SCE-020 digital display unit

Dimensioned drawings



Order code

SCE-020 Input 0/4 to 20 mA/0 to 10 V
+ 1 switching output
+ RS232C serial interface

SCE-020-02

Accessories:

Data cable SCE – PC
Power cable 115/230 VAC

SCK-300-02-31
SCSN-410

The Controller Family

Device features

- Large display
- Freely adjustable
- Rugged metal construction
- Compact size
- Long-term stability
- Dependable
- Immune to interference



This controller is used in control, regulation or monitoring systems where switching signals or analogue signals are used or a display is required.

The controller can replace the following:

- Mechanical switches
- Mechanical displays
(pressure gauges, thermometers, inspection glass)
- Sensors

All the above mentioned functions can be combined in one device.

All control devices have a compact and pivoting metal housing so that they can be mounted optimally under adverse installation conditions. The large display can be always be perfectly positioned so that it is easy to read even at longer distances.

Both of the switching outputs can be set individually either as NO or NC. They also both have hysteresis and the window functions. Therefore the on and off switching values as well as delay times (attenuation) for each of the switching points can be chosen freely.





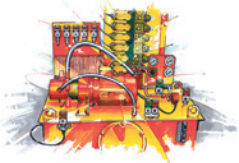
Thanks to these easy switching functions, intelligent adjustments can be set which are normally not possible using a mechanical switch. Therefore, many switches can be replaced with one controller.




The controllers offer good practical characteristics combined with diverse mounting and setting options.

Because of its compact design, long lifespan and high functionality, this controller is ideal for the permanent series use in hydraulic and pneumatic applications.

The Controller Family

Overview

	SCPSDi	SCPSD	SCTSD	SCTSD-L
Range of use				
	Pressure display and monitoring		Temperature display and monitoring	Temperature display and level monitoring
	<ul style="list-style-type: none"> Compact size Resistant to pressure peaks Resistant to shock and vibration IO link 	<ul style="list-style-type: none"> Compact size Resistant to pressure peaks Resistant to shock and vibration 	<ul style="list-style-type: none"> Temperature display Modular design Suitable for control panel and tank construction High pressure version 	<ul style="list-style-type: none"> Temperature display Fixed level contacts
Applications	<ul style="list-style-type: none"> Test benches Processing equipment Conveying and lifting equipment General machine construction Pneumatic plant construction Hydraulic plant construction 			
Order code	SCPSDi-xxx-x4-x7	SCPSD-xxx-x4-xx	SCTSD-150-xx-xx	SCTSD-L-xxxxx-xxxxx
Refer to page	50-55	56-61	62-73	74-77

	SCLSD	SCLTSD	SCOTC
Range of use			
	Level indication and monitoring	Level/temperature display and monitoring.	
	<ul style="list-style-type: none"> Level display Practical monitoring with window function Continuous level measurement 	<ul style="list-style-type: none"> Level display Temperature display Continuous level measurement One bore hole 	<ul style="list-style-type: none"> Level display Temperature display Continuous level measurement One bore hole Connection to the filling coupling Connection to the air filter
Applications	<ul style="list-style-type: none"> Test benches Processing equipment Conveying and lifting equipment General machine construction Pneumatic plant construction Hydraulic plant construction 		
Order code	SCLSD-xxx-x0-07	SCLTSD-xxx-x0-07	SCOTC-xxx-x0-07
Refer to page	78-83	84-89	90-95

SCPSDi PressureController

Device features

- IO LINK
- VDMA menu
- ECO mode
- > 360° pivot function
- 180° reversible display
- Analogue output V/mA
- Operator safety improved with LOCK
- Compact size
- Rugged
- MPa, bar, PSI
- Metal housing
- Installation width 35 mm
- Installation height 78 mm



The SCPSDi is an electronic pressure switch with:

- Pressure display
- Two programmable switching outputs
- Optional analogue output signal
- IO-Link interface
- VDMA menu navigation

The key features of the SCPSDi are the innovative design and the resulting installation options combined with the diverse connection possibilities.

These unique functions make the SCPSDi ideal for permanent series use in industrial applications.

Innovative construction design

The external-thread pressure port is stop-free and can be turned independently of the housing. So you can install the pressure connection without turning the housing. The small size means that it can easily be installed in cramped quarters. After the installation, the housing can be fully rotated over 360° with no stop. It also locks into position while under pressure.

For the internal-thread pressure port, all components that come into contact with the pressurized substance are made from stainless steel. It does not have any seals so it can be used with a wide range of substances including corrosive and aggressive media.

The display is readable from large distances and can be rotated through 180° for overhead installation. A horizontally-mounted display is optionally available.

Reliable / safe / sturdy

The pressure is recorded with a long-term stable and maintenance-free measuring cell. A functional error is signalled and can be processed further according to DESI-NA. The metal housing is void of moving seals and is resistant to moisture, shock and vibrations.

Easy to use

The terminology and symbols used, as well as the menu structure used for setting parameters can be easily browsed using the buttons in accordance with the VDMA standard journal (VDMA 24574-1) or automatically using IO Link.

Universal

Each switching output can be adjusted individually:

- NO/NC contact
- On/off switching pressures
- Delay times
- Hysteresis / window function

The optional analogue output is switchable between 0/4 to 20 mA and 0 to 10 V. An unintentional parameter change is prevented with use of the LOCK function (button lock).

Numerous versions are available for the many different applications.

- Diverse pressures ranges up to 600 bar
- Diverse inner and outer threads
- With or without analogue output

SCPSDi PressureController

Device features

Display

- Active-lit LED display
- Pressure display
- Units are displayed
- Bar / PSI / MPa
- Switch status is shown
- 180° rotation for top mount
- ECO mode*

Design

- No moveable seals
- Few housing elements
- No mixing of materials
- Ergonomic
- Minimal surface area for dirt
- Compact size
- Plug in the front
- Compact installation dimensions
- Sloped display

Measuring component

- Hermetically sealed and welded stainless steel membrane
- Zero-point stability
- Long-term stability
- No wear and tear
- Excellent pressure resistance
- Up to a nominal pressure of 600 bar

Innovative construction of external threads

- The external-thread pressure port is stop-free and can be turned independently of the housing. So you can install the pressure connection without turning the housing.
- The housing can be set in any direction for optimal cable routing and locks under pressure.
- Self-contained housing
- No force is exerted on the measuring component during installation
- Stainless steel
- BSPP/UNF/NPT
- NBR sealing

Housing

- Metal housing
- No movable elements, therefore wear-free
- Not sensitive to external environment
- Waterproof IP67
- Rugged

Adjustments and settings

- VDMA menu navigation
- Two large buttons
- LOCK function**

M12

- Threaded metal connection
- The plug cannot be over-rotated or broken off
- VDMA-compliant assignment of pins
- IO link
- DESINA
- 2 switching outputs
- Switchable analogue output
 - 0 to 20 mA
 - 4 to 20 mA
 - 0 to 10 V
- Excellent interference immunity

Inner thread

- All components that come into contact with the substance being measured are made from stainless steel
- No internal sealing components
- Wide range of compatible substances
- Resistant against corrosive and aggressive substances

* ECO mode (activated via menu): pressure switch is run with minimum power in this mode

** LOCK function (button lock): Prevents accidental changing of the pressure switch parameters

SCPSDi PressureController

Technical data

SCPSDi-	010	016	025	060	100	250	400	600
Pressure range P_n , relative (bar) Adjusting range RSP...SP (Lowest reset switch point ... highest switch point)	-1 to 10	-1 to 16	-1 to 25	0 to 60	0 to 100	0 to 250	0 to 400	0 to 600
Overload pressure * P_{max} relative (bar)	$2 \times P_n$							
Burst pressure ** P_{burst} relative (bar)	$3 \times P_n$							
Display resolution Increment size (bar)	0.01	0.01	0.01	0.1	0.1	1	1	1
Smallest adjustable difference between SP and RSP (SP-RSP)	0.01	0.01	0.01	0.1	0.1	1	1	1

* DIN EN 60770-1

** DIN 16086

Input values	
Switching cycles	≥ 100 million
Scanning rate	≤ 10 ms
Process connection Inner/outer thread	G1/4 BSPP, 7/16 UNF, NPT
Tightening torque	35 Nm
Parts in contact with substances	Inner thread Stainless steel 1.4301; 1.4404 Outer thread Stainless steel 1.4301; 1.4404; 1.0718 CF; NBR
Temperature range of substance	-20 to +105 °C
Output values	
Accuracy*	$\pm 0.5\%$ FS typ.; +/- 1% FS max.
Temperature drift	$\pm 0.03\%$ FS/K
Long-term stability	$\pm 0.2\%$ FS/a
Repeat accuracy	$\pm 0.25\%$ FS
Switch point accuracy	$\pm 0.5\%$ FS typ.; +/- 1% FS max.
Display accuracy	$\pm 0.5\%$ FS +/- 1 digit typ. $\pm 1\%$ FS +/- 1 digit max.
Max. display value	110% P_n
Analogue output	+/- 0.5% FS typ.; +/- 1% FS max.

* Including non-linearity, hysteresis, zero-point and full-scale deviations (corresponds to measurement deviations according to IEC 61298-2)

Response speed	
Switching output	≤ 10 ms
Analogue output	≤ 10 ms

Electrical connection	
Supply voltage V_+	Nominal 24 VDC; 12 to 30 VDC
Electrical connection	M12x1; 4-pole according to DIN EN 61076-2-101
Short circuit protection	Yes
Reverse polarity protection	Yes
Overload protection	Yes
Current consumption	< 50 mA; in ECO mode < 40 mA
Switch-on current	< 100 mA
Outputs	
Switching output 1	High-side/low-side switch (PNP/NPN) Optional
	Switching current: max. 200 mA
	Short-circuit current: 400 mA (short-term), Short-circuit resistance
	Switching voltage: Supply voltage - 1.5 VDC
Switching output 2	High-side/low-side switch (PNP/NPN) Optional
	Switching current: max. 500 mA
	Short-circuit current: 800 mA (momentary), short-circuit-proof
	Switching voltage: $V_+ - 1.5$ VDC
IO Link	Specification V1.0 PNO Order No. 2.802
Analogue output	4 to 20 mA, 0 to 20 mA, 0 to 10 V

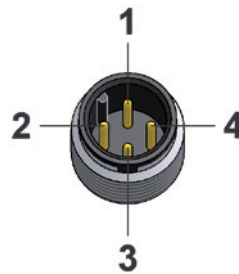
SCPSDi PressureController

Technical data

Housing	
Rotating	> 360°
Readability of the display	viewing angle can be rotated 180° Configurable (programming)
Display	4-digit 7-segment LED with additional symbols for units and switching status display; Digit height: ~6 mm, Height of units: ~2 mm
Material	Die-cast nickel-plated zinc
Protection degree	IP67
Weight	148 g
Ambient conditions	
Ambient temperature range	-25 to +85 °C
Storage temperature range	-40 to +85 °C
Vibration resistance	20 g; 10...500 Hz; IEC60068-2-6
Shock resistance	50 g; 11 ms; IEC60068-2-29
EM compatibility	
Disturbance emissions	EN 61000-6-3
Interference immunity	EN 61000-6-2
General	
MTTfd	> 100 years
RoHS-compliant	Yes

Pin assignment

2 switching outputs and one analogue output
M12x1; 4-pole

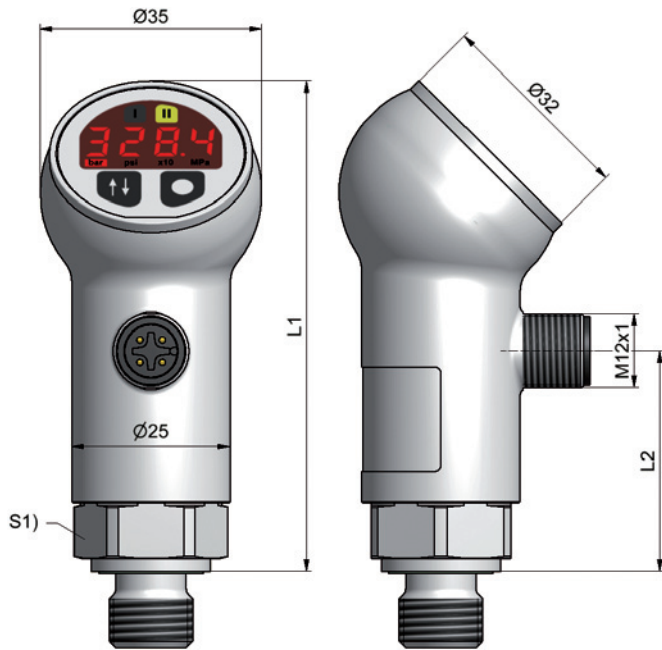


PIN	Assignment
1	V ₊
2	S2 out
3	0 V / GND
4	S1 out / IO Link

SCPSDi PressureController

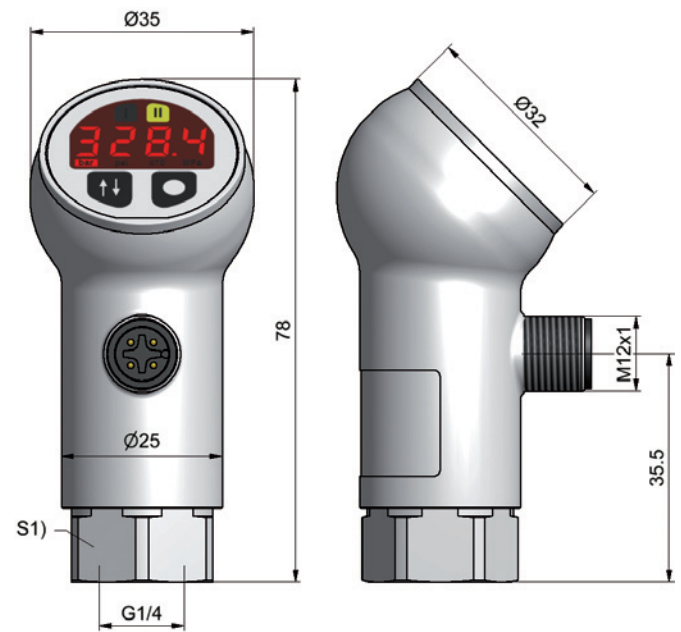
Dimensioned drawings

SCPSDi-xxx-xx-17



S1) SW22

SCPSDi-xxx-xx-27

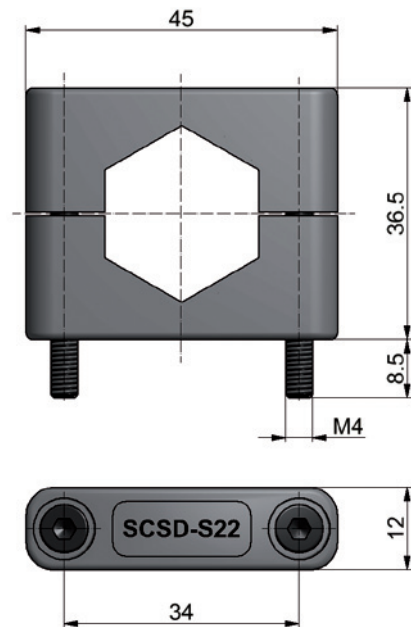


SCPSDi-xxx-xx-x7-H



Horizontal version
Display mounted at factory with 90° offset

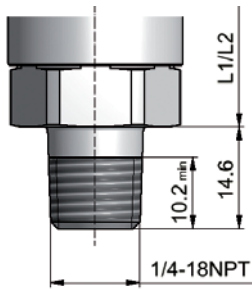
SCSD-S22



SCPSDi PressureController

SCPSDi-xxx-x4-x7

1/4 NPT

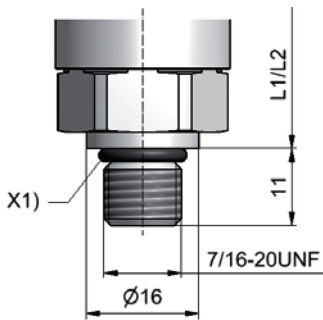


L1) 75.5

L2) 33

SCPSDi-xxx-x4-x7

7/16UNF



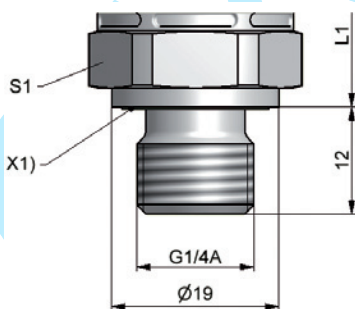
L1) 78

L2) 35.5

X1) OR 8.92x1.83

SCPSDi-xxx-x4-x7

G1/4ED



L1) 77.5

L2) 35

X1) ED seal

Order code

SCPSDi

2 switching outputs;
without analogue output,
G 1/4, M12x1; 4-pole

SCPSDi-xxx-04-x7-x

1 switching output;
switchable analogue output,
G 1/4, M12x1; 4-pole

SCPSDi-xxx-14-x7-x

Pressure range

010	010
016	016
025	025
060	060
100	100
250	250
400	400
600	600

Version

Outer thread	1
Inner thread	2

Display orientation

Display mounted at factory with 90° offset **H**

Connection cable and single plug

Connection cable, assembled

(open cable end)

SCK-400-xx-xx

Cable length (m)

2 m	02
5 m	05
10 m	10

Plug

M12 cable jack; straight	45
M12 cable jack; 90° angled	55

Single connector

M12 cable jack; straight	SCK-145
M12 cable jack; 90° angled	SCK-155

Accessories:

Securing clamp **SCSD-S27**

SCPSD PressureController

Device features

- Compact size
- Rugged
- Dependable
- Easily operable
- Long-term stability
- Excellent interference immunity
- Metal housing
- High protection class
- Many variants
- Pivoting
- Analogue output
- Password
- MPa, bar, PSI



The PressureController combines the functions of a pressure switch, a pressure sensor and a display device.

- Pressure gauge (manometer)
- Switching outputs
- Analogue signal

The PressureController is easy to operate, has a compact design and is very reliable. The PressureController features excellent technical specifications, optimal pressure management and a wide variety of installation options. This makes it perfect for permanent series use in industrial applications.

Easy to use

The parameters are set using the keys or over a programming module.

High functionality

Each switching output can be adjusted individually:

- NO/NC contact
- On/off switching pressures
- Delay times
- Hysteresis / window function
- Attenuation

Thanks to these easy switching functions, intelligent adjustments can be set which are normally not possible using a mechanical switch. Therefore, many switches can be replaced with one controller.

The analogue output is individually adjustable

- 0/4 to 20 mA switchable
- Starting pressure selectable
- End pressure selectable

Reliable and safe

The pressure is recorded with a long term stable measuring cell. A functional error is signalled and can be processed further according to DESINA. Parameters can be password protected to avoid unauthorised changes.

Rugged

The housing is made of metal and is resistant to moisture, shock and vibrations. The electronics are protected against reverse polarity, over-voltage and short-circuits.

Everything at a glance

The large illuminated display can be read from long distances. The pressures can be displayed in MPa, bar or PSI.

Optimal installation possibilities

The SCPSD is ideal for installation under critical conditions because of its compact design and excellent interference immunity. The display is always easy to read because the housing can be positioned as needed.

Universal

Diverse versions are available for the many different applications.

SCPSD PressureController

Device features

Everything at a glance

- Sloped display
- Digital display
 - Large
 - Illuminated
- Display
 - PSI/bar/Mpa
 - Current pressure
 - Minimum pressure
 - Maximum pressure
 - Switching points

Variable installation

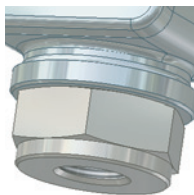
- Compact size
- 290° pivotable

Pressure port

- Stainless steel
- Long term stable measuring cell
- Wide range of compatible substances

Thread

- Inner thread



- Outer thread



Optical interface

- Switch status is shown

Easy to use

- 3 large buttons
- Display of the unit

Rugged

- Metal housing
- Waterproof
- Excellent interference immunity
- Vibration proof
- Shock proof

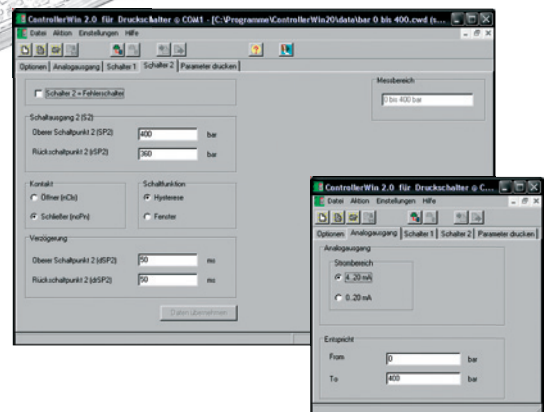
Tube clamp

- Safe installation with the sturdy SCSD-S27 clamp



Programming module

- Adjustable through ControllerWIN Software



SCPSD PressureController

Technical data

SCPSD-	004	010	016	060	100	250	400	600
Pressure range P_n relative (bar) Adjusting range RSP...SP	-1 to 4	-1 to 10	-1 to 16	0 to 60	0 to 100	0 to 250	0 to 400	0 to 600
Overload pressure P_n (bar)	10	20	40	120	200	500	800	1200
Burst pressure P_n (bar)	12	25	50	550	800	1200	1700	2200
Display resolution (bar)	0.01	0.01	0.01	0.1	0.1	1	1	1
Smallest adjustable difference between SP and RSP (SP-RSP)	0.08	0.05	0.09	0.3	0.6	2	3	3
Measuring component	Ceramic			Thin film DMS				
Parts in contact with substances	Stainless steel 1.4404; Ceramic AL2O3; NBR			Stainless steel 1.4404; 1.4542				

Input parameters	
Switching cycles	≥ 100 million
Polling rate	≥ 5 ms
Connector thread	G1/4 BSPP; ED soft seal NBR* (DIN 3852 T2, Form X); ED (DIN3852 T11, Form E)
Tightening torque	35 Nm
Temperature range of substance	-20 to +85 °C
Weight	Approx. 300 g
Output values	
Accuracy	± 0.5 % FS typ.; ± 1 % FS max.
Temperature drift	± 0.02 % FS/°K type (at -20 to +85 °C) ± 0.03 % FS/°K max.
Long-term stability	± 0.2 % FS/a
Repeat accuracy	± 0.25 % FS
Switching point accuracy	± 0.5 % FS typ.; ± 1 % FS max.
Display accuracy	± 0.5 % FS type ± 1 Digit ± 1 % FS max. ± 1 Digit
Response speed	
Switching output	≤ 10 ms
Analogue output	≤ 10 ms

Electrical connection	
Supply voltage V_+	15 to 30 VDC nominal 24 VDC; Protection class 3
Electrical connection	M12x1; 4-pole; 5-pole; with gold-plated contacts device connector DIN EN 175301-803 Form A (old DIN43650)
Short-circuit protection	Yes
Protection against wrong insertion	Yes
Overload protection	Yes
Current consumption	< 100 mA
Housing	
	Adjustable direction to 290°C
Material	Painted zinc die cast Z 410
Foil material	Polyester
Display	4-digit 7-segment LED; red; digit height 9 mm
Protection degree	IP67 DIN EN 60529; IP65 with device connector DIN EN 175301-803 Form A (old DIN43650)

SCPSD PressureController

Technical data

Ambient conditions	
Ambient temperature range	-20 to +85 °C
Storage temperature range	-40 to +100 °C
Vibration resistance	20 g; 10 to 500 Hz IEC60068-2-6**
Shock resistance	50 g; 11 ms IEC60068-2-29**
EM compatibility	
Disturbance emissions	EN 61000-6-3
Resistance to interference	EN 61000-6-2
Outputs	
Switching outputs	Two MOSFET high-side switches (PNP)
Contact functions	NO / NC contact; window / hysteresis; function freely adjustable
Switching voltage	V ₊ -1.5 VDC
Switching current max.	0.5 A per switch
Short-circuit current	2.4 A per switch
Analogue output	0/4 to 20 mA; programmable; freely scalable; RL ≤ (Supply voltage - 8 V) / 20 mA (≤ 500 Ω)

* different sealing material (FKM, EPDM etc.) upon request

** does not apply for version DIN EN 175301-803 Form A (old DIN43650)

Information about selecting the pressure range

The following parameters are relevant when working with pressure switches:

- System pressure
- Switching point pressure

Since a 400-bar pressure switch has a comparable resolution (of 1 bar) as that of a 600-bar pressure switch (also 1 bar), it is possible to use a 600-bar pressure switch even when there is a smaller nominal pressure (for example, 315 bar).

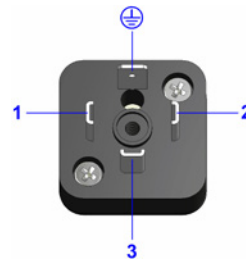
This is a positive feature because it provides the same precision with improved safety and fewer product variants.

Pin assignment

SCPSD-xxx-04-x6

1 switching output

DIN EN 175301-803 Form A 4-pole (old 43650)

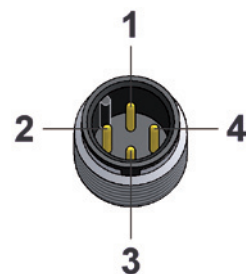


PIN	Assignment
1	V ₊
2	0 V / GND
3	S1 out
⊕	-

SCPSD-xxx-14-x7

1 switching and 1 analogue output

M12x1; 4-pole



PIN	Assignment
1	V ₊
2	Analogue out
3	0 V / GND
4	S1 out



SCPSD-xxx-04-x7

2 switching outputs;

M12x1; 4-pole

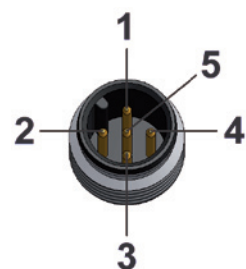


PIN	Assignment
1	V ₊
2	S2 out
3	0 V / GND
4	S1 out



SCPSD-xxx-14-x5

2 switching outputs; 1 analogue output; M12x1; 5-pole

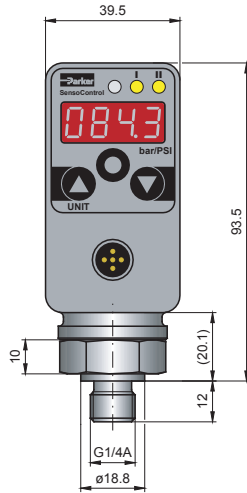


PIN	Assignment
1	V ₊
2	S2 out
3	0 V / GND
4	S1 out
5	Analogue out

SCPSD PressureController

Outer thread

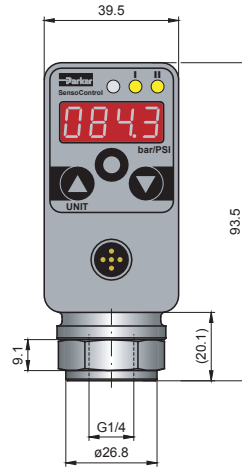
SCPSD-xxx-x4-1x



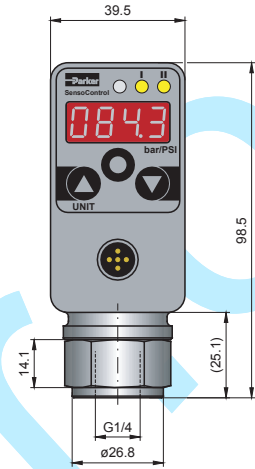
Inner thread

SCPSD-xxx-x4-2x

Up to 10 bar

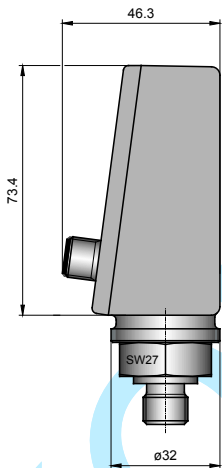


From 16 bar



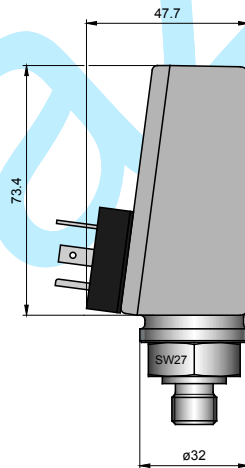
M12 connecting plug

SCPSD-xxx-x4-x5



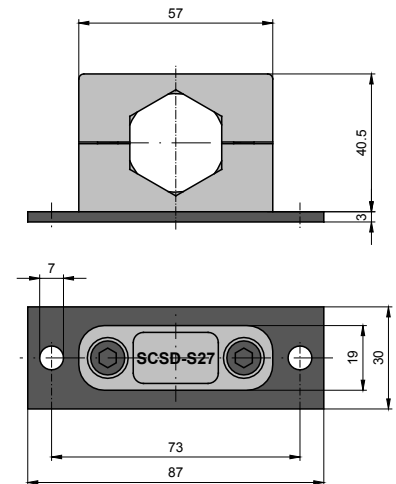
DIN EN 175301-803 Form A (old DIN43650)

SCPSD-xxx-04-x6



Clamp (accessory)

SCSD-S27



SCPSD PressureController

Order code

SCPSD digital pressure switch

1 switching output; no analogue output SCPSD-xxx-04-x6

DIN EN 175301-803 Form A
(old DIN 43650) connecting plug

2 switching outputs; no analogue output: SCPSD-xxx-04-x7

M12x1 connecting plug; 4-pole

1 switching output; with analogue output: SCPSD-xxx-14-x7

M12x1 connecting plug; 4-pole

2 switching outputs; with analogue output SCPSD-xxx-14-x5

M12x1 connecting plug; 5-pole

Pressure range

004	004
010	010
016	016
060	060
100	100
250	250
400	400
600	600

Version

G1/4 BSPP outer thread	1
G1/4 BSPP inner thread	2

Accessories:

- PC Programming KIT
- Securing clamp
- Reducing adapter M22x1.5
- Reducing adapter G1/2 BSPP
- Attenuation adapter
- Flange adapter
- for mechanical pressure switch

- SCSD-PRG-KIT
- SCSD-S27
- SCA-1/4-M22x1.5-ED
- SCA-1/4-ED-1/2-ED
- SCA-1/X-EDX-1/X-D
- SCAF-1/4-40

Order example

SCPSD-100-04-27

Pressure range 100 bar
2 switching outputs
G1/4 BSPP inner thread
M12 connecting plug



SCPSD-004-14-17

Pressure range 4 bar
2 switching outputs
1 analogue output
G1/4 BSPP outer thread
M12 connecting plug

Connection cable and single plug

Connection cable, assembled

(open cable end)

SCK-400-xx-xx

Cable length (m)

2 m	02
5 m	05
10 m	10

Plug

M12 cable jack; straight	45
M12 cable jack; 90° angled	55

Single connector

M12 cable jack; straight	SCK-145
M12 cable jack; 90° angled	SCK-155

SCTSD TemperatureController

Device features

- Compact size
- Rugged
- Dependable
- Easily operable
- Metal housing
- High protection class
- Modular construction
- Many variants
- Analogue output
- Pivoting
- Password
- °C, °F



The TemperatureController combines the functions of a temperature switch, a temperature sensor and a display device.

- Temperature display (Thermometer)
- Switching outputs
- Analogue signal

Simple operation, extensive functionality and a modular design are the most important characteristics of the TemperatureController.

The TemperatureController offers excellent technical specifications, optimum temperature management, combined with a variety of installation options. It is perfect for applications when the temperature needs to be reliably monitored and easily viewed.

Easy to use

The normal temperature monitoring limit values adjustments (e.g. cooling and alarm) are made either with the keys or the programming module.

High functionality

Each switching output can be adjusted individually:

- NO/NC contact
- On/off switching pressures
- Delay times
- Hysteresis / window function
- time delay

Thanks to these easy switching functions, intelligent adjustments can be set which are normally not possible using a mechanical switch. Therefore, many switches can be replaced with one controller.

The analogue output is individually adjustable

- 0/4 to 20 mA switchable
- Adjustable start temperature
- Adjustable end temperature

Reliable and safe

A functional error is signalled and can be processed further according to DESINA. Parameters can be password protected to avoid unauthorised changes.

Rugged

The housing is made of metal and is resistant to moisture, shock and vibrations. The electronics are protected against reverse polarity, over-voltage and short-circuits.

Everything at a glance

The large illuminated display can be read from long distances. The temperature can be selected to °C or °F. The temperature is always optimally readable due to the modular construction and the pivoting housing.

Optimal installation possibilities

Sensors in various lengths are available for different tank sizes. These can be directly connected to the TemperatureController via a cable. Additionally the temperature sensor is available up to 630 bar for high pressure applications.

Universal

Diverse versions are available for the many different applications.

SCTSD TemperatureController

Application example Tank temperature monitoring

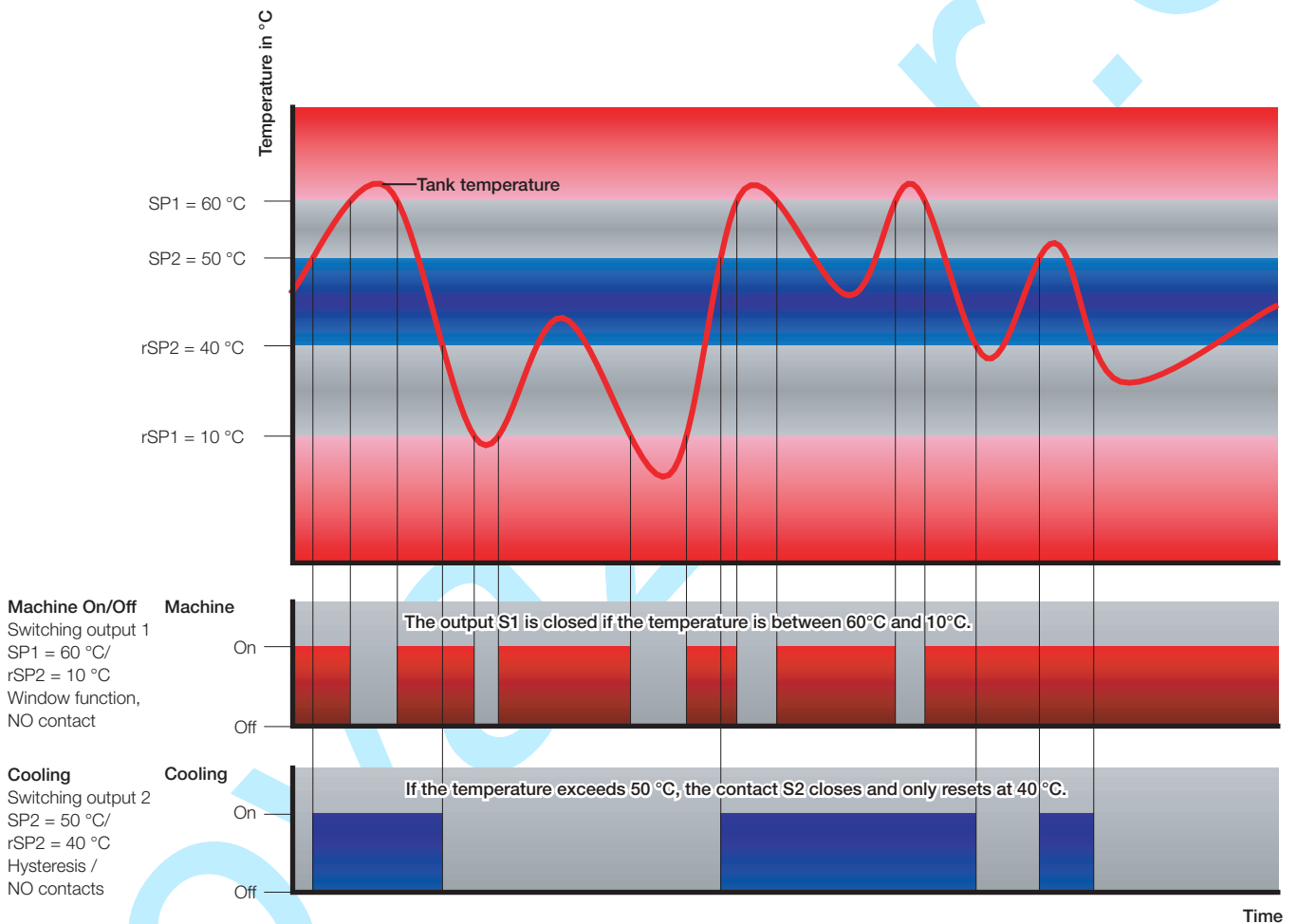
Machine On / Off

The facility should shut down when the tank temperature falls below 10°C or climbs above 60°C.

A protective wire-break mechanism should be considered to improve safety.

Cooling

If the temperature climbs above 50°C, the tank temperature should be cooled with a refrigerating unit down to 40°C.



SCTSD Modular Temperature Controller

Device features

Everything at a glance

- Sloped display
- Digital display
 - Large
 - Illuminated
- Display
 - °C, °F
 - Current temperature
 - Minimum temperature
 - Maximum temperature
 - Switching points

Variable installation

- Compact size
- 290° pivotable

Connect as required

- 2 switching outputs
- Analogue output
- 0 to 20 or 4 to 20 mA
- Freely programmable
- Scalable
- Plug
 - M12
 - DIN EN 175301-803 Form A (old DIN43650)



Optical interface

- Switch status is shown

Easy to use

- 3 large buttons
- Display of the unit

Rugged

- Metal housing
- Waterproof
- Excellent interference immunity
- Vibration proof
- Shock proof

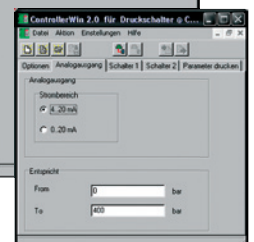
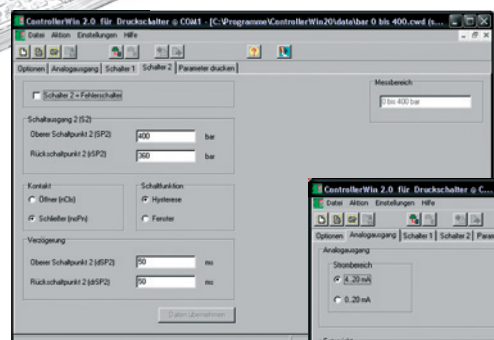
Tube clamp

- Safe installation with the sturdy SCSD-S27 clamp



Programming module

- Adjustable through ControllerWIN Software



The Controller Family

KONVERT



SCTSD Modular Temperature Controller

Device features

Adjustable height

Through clamping thread

- SCA-TT-10-1/2



High pressure temperature sensor

- 630 bar
- SCTT-20-010-07



Immersion tube

Additional with

- High pressures
- Aggressive substance
- Immersion tube SCA-TT-10-xxx



Cable

- SCK-410-03-45-45



Temperature sensor

- Stainless steel
- Wide range of compatible substances
- Diverse lengths
- SCTT-10-xxx-07

Connection adapter

- SCA-TT-10-SD



SCTSD Modular Temperature Controller

Technical data

Input parameters SCT-150	
Display range	-50 to +150 °C
Sensor input	PT1000
Sensor connection	M12x1; 4-pole
Output values	
Switching accuracy at 25 °C	± 0.35 % FS
Display accuracy at 25 °C	± 0.35 % FS ± 1 Digit
Electrical connection	
Supply voltage V ₊	15 to 30 VDC nominal 24 VDC; Protection class 3
Electrical connection	M12x1; 4-pole; 5-pole; Device plug DIN EN 175301-803 Form A (old DIN43650)
Short-circuit protection	Yes
Overload protection	Yes
Current consumption	< 100 mA
EM compatibility	
Disturbance emissions	EN 61000-6-3
Resistance to interference	EN 61000-6-2

* does not apply for version DIN EN 175301-803 Form A (old DIN43650)

Housing	
	Orientation adjustable to 290°
Material	Die-cast zinc Z 410; painted
Foil material	Polyester
Display	4-digit 7-segment LED; red; digit height 9 mm
Protection degree	IP67 EN 60529 IP65 with device plug DIN EN 175301-803 Form A (old DIN43650)
Ambient conditions	
Ambient temperature range	-20 to +85 °C
Storage temperature range	-40 to +100 °C
Vibration resistance	20 g; 10 to 500 Hz IEC60068-2-6*
Shock resistance	50 g; 11 ms IEC60068-2-29*
Outputs	
Switching outputs	2 x PNP high-side switch, 0.7 A/switch
Contact functions	NO / NC contact; window / hysteresis
Response speed	300 ms
Accuracy	± 1 % FS
Analogue output	0/4 to 20 mA; programmable; freely scalable; 4 to 20 mA = -40 to 125 °C

Temperature sensor SCTT-10-xxx-07	
Measuring component	PT1000/DIN EN 60751, Class B
Measuring range	-40 to +125 °C
Response time	$\tau_{0.5} = 6 \text{ s} / \tau_{0.9} = 25 \text{ s}$
Accuracy	± 0.3 K + 0.005* t
Material	Stainless Steel 1.4571
Nominal pressure (max)	10 bar
Temperature of substance	-40 to +125 °C
Ambient temperature	-25 to +80 °C (for the connector area)
Storage temperature	-25 to +85 °C

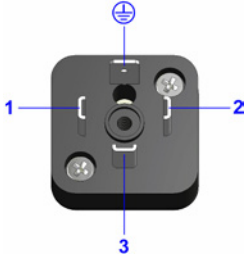
High pressure sensor SCTT-20-010-07	
Measuring component	PT1000/DIN EN 60751, Class B
Measuring range	-40 to +125 °C
Response time	$\tau_{0.5} = 3 \text{ s} / \tau_{0.9} = 15 \text{ s}$
Accuracy	± 0.3 K + 0.005*t
Material	Stainless Steel 1.4404
Threaded stud	M10x1
Seal	O ring 7.65x1.78 mm; FKM
Measuring pipe diameter	7 mm
Installation length	18.5 mm
Nominal pressure P _n	630 bar
Overload pressure P _{max}	800 bar
Burst pressure P _{burst}	1200 bar
Temperature of substance	-40 to +125 °C
Ambient temperature	-25 to +80 °C (for the connector area)
Storage temperature	-25 to +85 °C

SCTSD Modular Temperature Controller

Pin assignment

SCTSD-150-00-06

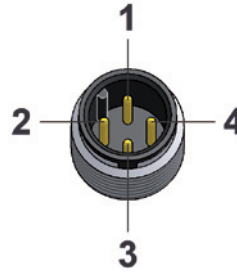
1 switching output
DIN EN 175301-803 Form A 4-pole (old 43650)



PIN	Assignment
1	V ₊
2	0 V / GND
3	S1 out
	-

SCTSD-150-00-07

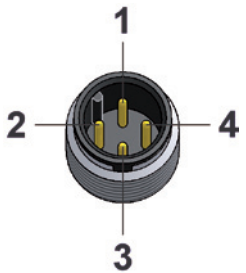
2 switching outputs
M12x1; 4-pole



PIN	Assignment
1	V ₊
2	S2 out
3	0 V / GND
4	S1 out

SCTSD-150-10-07

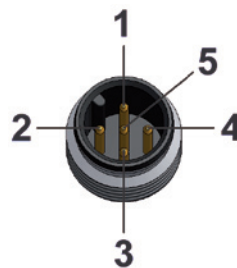
1 switching output, 1 analogue output
M12x1; 4-pole



PIN	Assignment
1	V ₊
2	Analogue out
3	0 V / GND
4	S1 out

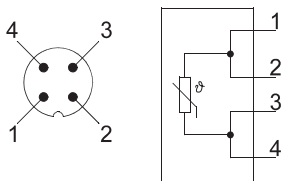
SCTSD-150-10-05

2 switching outputs, 1 analogue output
M12x1; 5-pole



PIN	Assignment
1	V ₊
2	S2 out
3	0 V / GND
4	S1 out
5	Analogue out

SCTT-x0-xxx-07



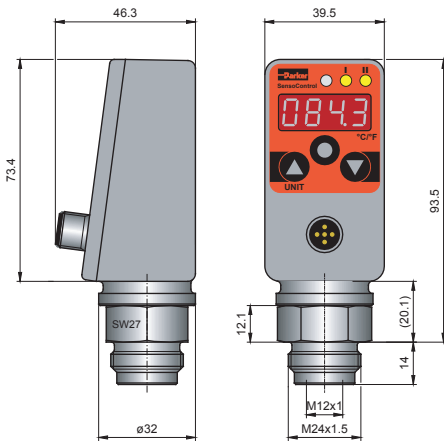
Measuring range	Display resolution Increment size	Lowest reset switch point RSP	Largest switching value SP	Smallest adjustable difference between SP and RSP (SP-RSP)
-50 to 150 °C	0.1 °C	-50 °C	150 °C	0.8

SCTSD Modular Temperature Controller

Dimensioned drawings

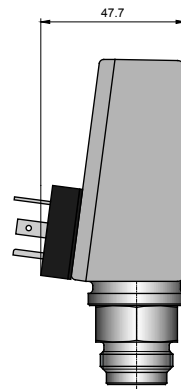
M12 connecting plug

SCTSD-150-x4-05



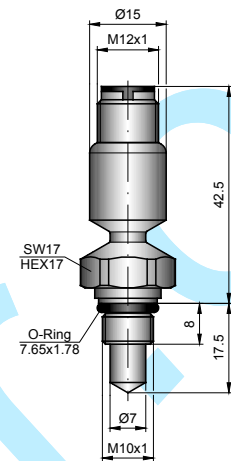
DIN 43650

SCTSD-xxx-00-06



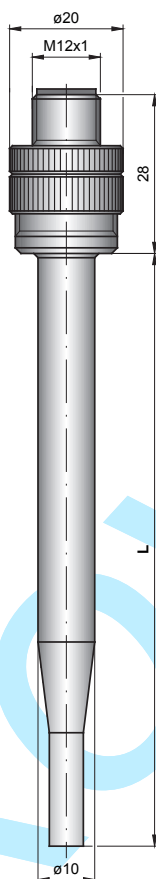
High pressure temperature sensor

SCTT-20-010-07



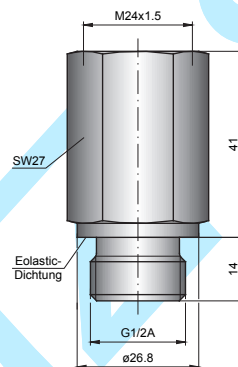
Temperature sensor

SCTT-10-xxx-07



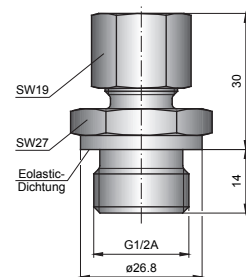
Connection adapter (accessory)

SCA-TT-10-SD



Clamping thread (accessory)

SCA-TT-10-1/2



Material:

Stainless Steel 1.4404

Male stud:

G1/2A BSPP DIN3852-E

Seal type:

ED (Eolastic seal type)

Screw plug hole

G1/2A BSPP DIN3852-E

Replacement seals:

O ring 9.5x1.5 (FKM)

ED1/2VITX (FKM)

GE10LR1/2EDOMD71:

(with 10 mm bore hole)

Stainless Steel 1.4571

EO-2-functional nut:

FM10L71

Male stud:

G1/2A BSPP DIN3852-E

Seal type:

ED (Eolastic seal type)

Replacement seal:

ED1/2VITX (FKM)

SCTSD Modular Temperature Controller

Dimensioned drawings

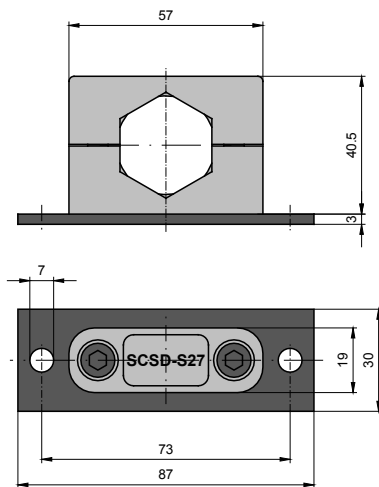
Sensor cable 3 m (accessory)

SCK-410-03-45-45



Clamp (accessory)

SCSD-S27



Order example

Components for the control panel - high pressure version

Securing clamp

SCSD-S27

Sensor cable 3 m (SCTSD-SCTT)

SCK-410-03-45-45

High pressure temperature sensor

SCTT-20-10-07

Components for the control panel

Securing clamp

SCSD-S27

Sensor cable 3 m (SCTSD-SCTT)

SCK-410-03-45-45

Clamping thread G1/2 BSPP

SCA-TT-10-1/2

Temperature sensor 150 mm

SCTT-10-150-07

Optional: Immersion tube G1/2 BSPP 100 mm

SCA-TT-10-100

Direct mounting components

Connection adapter (SCTSD-SCTT)

SCA-TT-10-SD

Temperature sensor 100 mm

SCTT-10-100-07

Optional: Immersion tube G1/2 BSPP 200 mm

SCA-TT-10-200

Order code

SCTSD module

1 switch output; no analogue output

SCTSD-150-00-06

DIN EN 175301-803 Form A

(old DIN 43650) connecting plug

2 switch outputs; no analogue output

SCTSD-150-00-07

M12x1 connecting plug; 4-pole

1 switch output; with analogue output

SCTSD-150-00-07

M12x1 connecting plug; 4-pole

2 switch outputs; with analogue output

SCTSD-150-00-07

M12x1 connecting plug; 5-pole

Accessories:

Securing clamp

SCSD-S27

Sensor cable 3 m (SCTSD-SCTT)

SCK-410-03-45-45

Clamping thread G1/2 BSPP

SCA-TT-10-1/2

Connection adapter (SCTSD-SCTT)

SCA-TT-10-SD

High pressure temperature sensor

SCTT-20-10-07

Immersion tube G1/2 BSPP

SCA-TT-10-xxx

Length mm

100 mm

100

150 mm

150

200 mm

200

Temperature sensor

SCTT-10-xxx-07

Length mm

100 mm

100

150 mm

150

200 mm

200

Connection cable and single plug

Connection cable, assembled

SCK-400-xx-xx

(open cable end)

Cable length (m)

2 m

02

5 m

05

10 m

10

Plug

M12 cable jack; straight

45

M12 cable jack; 90° angled

55

Single connector

M12 cable jack; straight

SCK-145

M12 cable jack; 90° angled

SCK-155

SCTSD high pressure TemperatureController

Device features

Everything at a glance

- Sloped display
- Digital display
 - Large
 - Illuminated
- Display
 - °C, °F
 - Current temperature
 - Minimum temperature
 - Maximum temperature
 - Switching points

Rugged

- Metal housing
- Waterproof
- Excellent interference immunity
- Vibration proof
- Shock proof

Variable installation

- Compact size
- 290° pivotable

Programming module

- Adjustable through ControllerWIN Software

Optical interface

- Switch status is shown

Easy to use

- 3 large buttons
- Display of the unit

Connect as required

- 2 switching outputs
- Analogue output
- 0 to 20 or 4 to 20 mA
- Freely programmable
- Scalable
- M12 connecting plug

High pressure resistance

- Up to 630 bar



SCTSD high pressure Temperature Controller

Technical data

Input values SCTSD-150-x2-0x	
Measuring range	-40 to +100 °C
Input for measuring element	PT1000/DIN EN 60751; Class B
Range of use	Liquid media, air
Output values	
Switching accuracy at 25 °C	± 0.35 % FS
Display accuracy at 25 °C	± 0.35 % FS ± 1 Digit
Temperature margin of error	± 0.01 % FS/°C typ. (for -20 to +85 °C)
Long-term stability	± 0.2 % FS/a
Electrical connection	
Supply voltage V_+	15 to 30 VDC (with protection against polarity reversal)
Electrical connection	M12x1; 4-pole; 5-pole; with gold-plated contacts
Short-circuit protection	Yes
Overload protection	Yes
Current consumption	< 100 mA
Mechanical connection	
Threaded male stud	M10x1
Seal	O ring 7.65x1.78 mm; FKM
Measuring pipe diameter	7 mm
Installation length	18.5 mm
Material	Stainless Steel 1.4404
P_N pressure	630 bar
P_{max}	800 bar
Bursting pressure	1200 bar
Housing	
	Adjustable direction to 290°C
Material	Die-cast zinc Z 410; painted
Foil material	Polyester
Display	4-digit 7-segment LED; red; digit height 9 mm
Protection degree	IP67 EN 60529

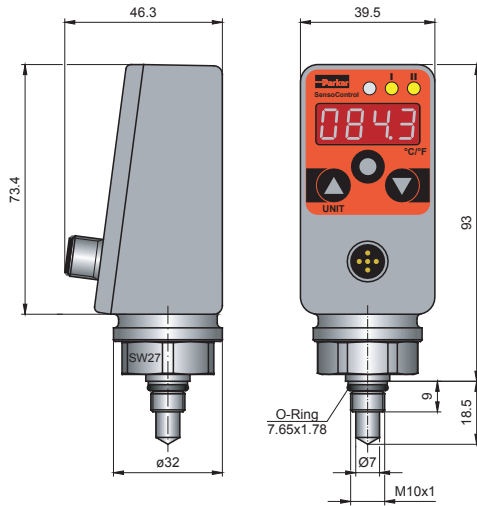
Ambient conditions	
Ambient temperature range	-25 to +80 °C
Storage temperature range	-25 to +85 °C
Media temperature range	-40 to +100 °C
Vibration resistance	20 g; 10 to 500 Hz IEC60068-2-6*
Shock resistance	50 g; 11 ms IEC60068-2-29
EM compatibility	
Disturbance emissions	EN 61000-6-3
Resistance to interference	EN 61000-6-2
Outputs	
Switching outputs	2 x PNP high-side switch
Contact functions	NO / NC contact; window / hysteresis
Switching current:	0.5 A / switch to 85 °C; 0,7 A / switch to 70 °C
Response speed	≤ 0.7 s maximum load current
Optional analogue output	
Measuring range	0/4 to 20 mA
Response speed (0-95 %)	≤ 300 ms
Analogue output error	± 1 % FS
Load	≤ 500 Ω from $U_b > 18$ VDC

SCTSD high pressure Temperature Controller

Dimensioned drawings

M12 connecting plug

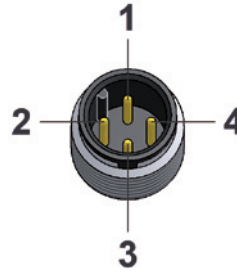
SCTSD-150-x4-05



Pin assignment

SCTSD-150-02-07

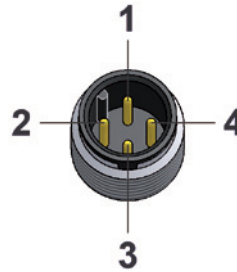
2 switching outputs
M12x1; 4-pole



PIN	Assignment
1	V ₊
2	S2 out
3	0 V / GND
4	S1 out

SCTSD-150-12-07

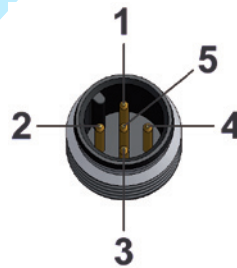
1 switching output, 1 analogue output
M12x1; 4-pole



PIN	Assignment
1	V ₊
2	Analogue out
3	0 V / GND
4	S1 out

SCTSD-150-12-05

2 switching outputs, 1 analogue output
M12x1; 5-pole



PIN	Assignment
1	V ₊
2	S2 out
3	0 V / GND
4	S1 out
5	Analogue out

Measuring range	Display resolution Increment size	Lowest reset switch point RSP	Largest switching value SP	Smallest adjustable difference between SP and RSP (SP-RSP)
-40 to 100 °C	0.1 °C	-40 °C	100 °C	0.8

SCTSD high pressure Temperature Controller

Order code

SCTSD high pressure

2 switch outputs; no analogue output **SCTSD-150-02-07**

M12x1 connecting plug; 4-pole

1 switch output; with analogue output **SCTSD-150-12-07**

M12x1 connecting plug; 4-pole

2 switch outputs; with analogue output **SCTSD-150-12-07**

M12x1 connecting plug; 5-pole

Accessories

PC Programming Kit **SCSD-PRG-KIT**

Connection cable and single plug

Connection cable, assembled **SCK-400-xx-xx**

(open cable end)

Cable length (m)

2 m **02**

5 m **05**

10 m **10**

Plug

M12 cable jack; straight **45**

M12 cable jack; 90° angled **55**

Single connector

M12 cable jack; straight **SCK-145**

M12 cable jack; 90° angled **SCK-155**

SCTSD-L combination switch

Device features

- Compact design
- Temperature display
- Individually adjustable temperature switching outputs
- Small switching hysteresis
- Preset
 - For standard oils
 - For cooling
 - For switching off (T_{max})
- Fixed level contacts
- Bi-stable contacts
- Only one float
- Preset level
 - Warning and shutdown min.
 - Shut-down min./max.
- Up to one meter probe length

The SCTSD-L combination switch was designed to meet the requirements of hydraulic facility construction. It combines the functions of a fixed mechanical level switch with an adjustable temperature switch with display.

Level

The tank level is measured using a highly dynamic, fully encapsulated magnetic float which switches the bi-stable reed contacts. The M12 pin assignments are compatible with conventional existing systems. The level contacts are pre-determined according to the normal tank sizes. There are two standard switch output versions available:

- Warning minimum level and shutdown minimum level
- Shutdown maximum and minimum levels

The switching positions were chosen according to the proven experiences of plant constructors and the DIN. For safety reasons (fail-safe / closed circuit), the switching behaviour of the standard switch is an NC contact.

Optionally the contacts can be changed at the factory and pre-set in line with the customer's requirements. (Refer to SCTSD-L-....-KIT5)

Temperature

The temperature is detected using a sensor; it is then evaluated and constantly displayed using the SCTSD Temperature Controller (as described in the SCTSD section). Thanks to the easy switching functions (e.g. switching windows), intelligent switching settings can be achieved that are not possible using a mechanical temperature switch.

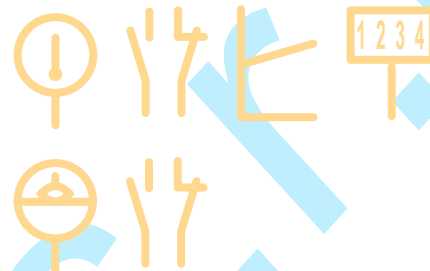
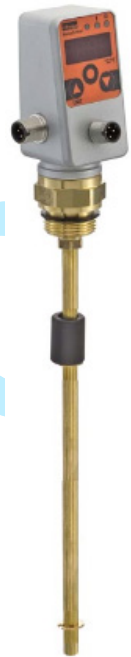
Normally the outputs for the normal temperature functions cooling on/off and shutdown are pre-installed as standard. The temperature thresholds were designed for standard oils (HLP).

It is possible to adjust the temperature monitoring temperature limits (e.g. cooling and shutdown) for each output individually using the keys:

- On/off switching temperature limits
- NO/NC contact
- Hysteresis / window function
- Time delay and attenuation

Optional (see: SCTSD-L-....-KIT5) 3 different versions of temperature switching outputs are available:

- 2 switching outputs
- 1 switching and 1 analogue output
- 2 switching outputs and one analogue output



SCTSD-L combination switch

Technical data

General	
Measurement principle	Magnetic float reed switches
Float	NBR, Ø 18 mm, length 25 mm, magnetic
Viscosity	Max. 250 cSt at 25 °C
Density	at least 0.750 g/cm ³
Connector thread	G3/4 outer thread
Protection tube	Ø 8 mm
Probe length Lmax	Lowest switching point + 35 mm
Operating pressure	1 bar max.
Compatibility with media (substances)	Water, lubricating oil, hydraulic oil, machine oil
Accuracy	
Hydraulic oil	±2 mm
Material	
Protection tube	Brass
Connector thread	Brass
Ambient conditions	
Temperature of substance	-20 to +85 °C
Storage temperature	-40 to +100 °C

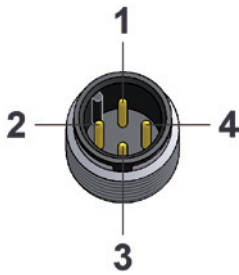
Preset temperatures	
Switching output 1*	50 °C contact closed (cooling on)
	45 °C contact open (cooling off)
Switching output 2*	63 °C contact open (shutdown)
	60 °C contact closed
Level switching outputs	
Switching current:	0.5 A max.
Switching voltage	100 V max.
Switching power	10 W max.
Switching function	NO or NC (bi-stable)
Contact material	Rhodium
Plug	M12x1; 4 pin
Smallest difference between L1 and L2	30 mm
Smallest switching position L1	30 mm from the tank lid

*) Each temperature switching output can be individually re-programmed or adjusted:

- NO/NC contact
- On/off switching temperature
- Hysteresis / window function
- Time delay and attenuation

Fill level pin assignments

M12x1; 4-pole



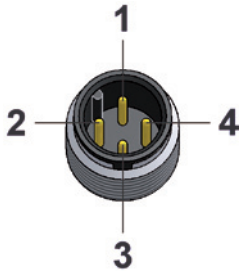
PIN	Assignment
1	IN
2	OUT S2
3	nc.
4	OUT S1

SCTSD-L combination switch

Temperature pin assignment

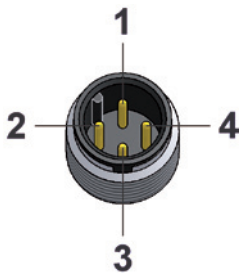
SCTSD-150-0X-0X
(Refer chapter SCTSD)

SCTSD-L-xxxxO-xxFO
SCTSD-L-xxxxx-xxxxx-KIT5
2 switching outputs
M12x1; 4-pole



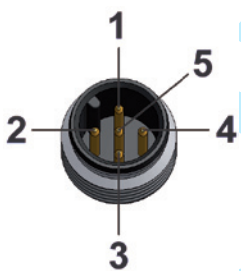
PIN	Assignment
1	V ₊
2	S2 out
3	0 V / GND
4	S1 out

SCTSD-L-xxxxx-xxxxx-17-KIT5
1 switching output, 1 analogue output
M12x1; 4-pole



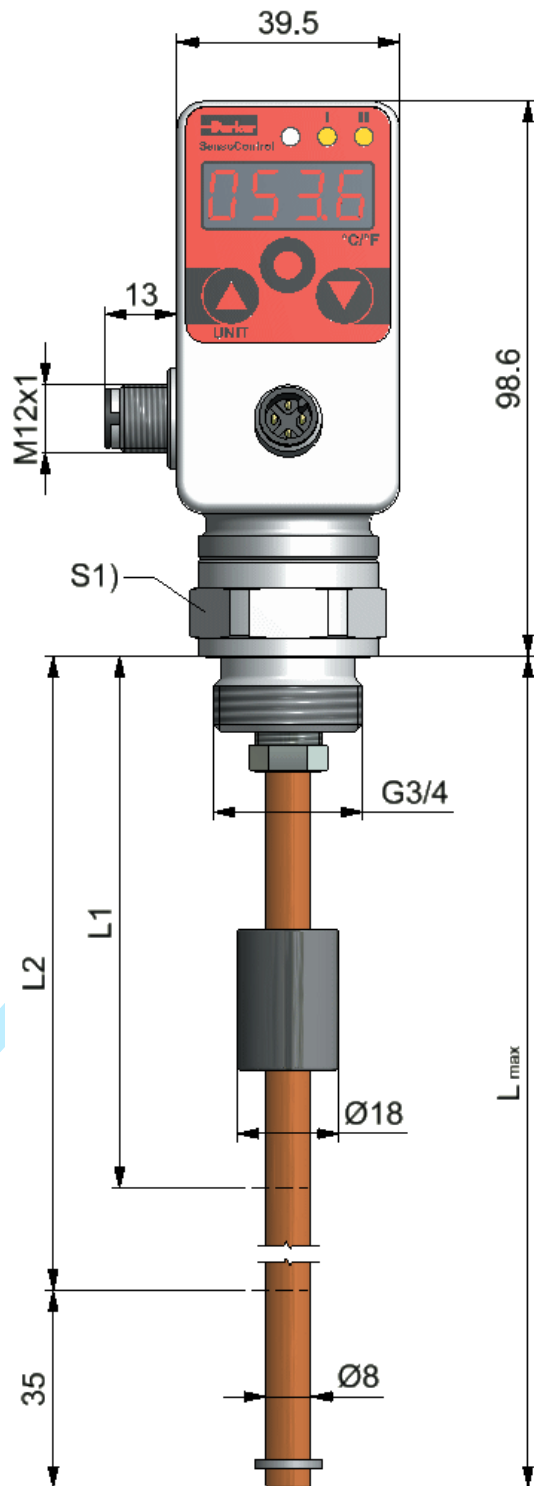
PIN	Assignment
1	V ₊
2	Analogue out
3	0 V / GND
4	S1 out

SCTSD-L-xxxxO-xxFO
SCTSD-L-xxxxx-xxxxx-15-KIT5
2 switching outputs, 1 analogue output
M12x1; 5-pole



PIN	Assignment
1	V ₊
2	S2 out
3	0 V / GND
4	S1 out
5	Analogue out

Dimensioned drawings



SCTSD-L combination switch

Order code

Standard version

2 level outputs, temperature display
2 temperature switching outputs

Advanced warning & shut-off

Warning = S1 out; falling open (L1)
Cut-out = S2 out; falling open (L2)

Length (L1 / L2 mm)

Length (L1 / L2 mm)	060	090
60 / 90 mm	060	090
75 / 105 mm	075	105
90 / 120 mm	090	120
95 / 135 mm	095	135
110 / 150 mm	110	150
125 / 165 mm	125	165
135 / 165 mm	135	165
130 / 180 mm	130	180
145 / 195 mm	145	195
160 / 210 mm	160	210
140 / 220 mm	140	220
165 / 225 mm	165	225
180 / 240 mm	180	240
195 / 255 mm	195	255
210 / 270 mm	210	270
160 / 280 mm	160	280
225 / 285 mm	225	285
240 / 300 mm	240	300
245 / 315 mm	245	315
260 / 330 mm	260	330
275 / 345 mm	275	345
290 / 360 mm	290	360
315 / 385 mm	315	385
340 / 410 mm	340	410
355 / 435 mm	355	435
380 / 460 mm	380	460
420 / 500 mm	420	500
460 / 550 mm	460	550
510 / 600 mm	510	600
560 / 650 mm	560	650
600 / 700 mm	600	700
650 / 750 mm	650	750
700 / 800 mm	700	800
750 / 850 mm	750	850
800 / 900 mm	800	900
850 / 950 mm	850	950

Shutdown min. / max.

Cut-out max = S1 out; rising open (L1)
Cut-out min = S2 out; falling open (L2)

Length (L1 / L2 mm)

Length (L1 / L2 mm)	030	090
30 / 90 mm	030	090
50 / 120 mm	050	120
60 / 135 mm	060	135
90 / 165 mm	090	165
40 / 170 mm	040	170
60 / 250 mm	060	250
40 / 320 mm	040	320
60 / 370 mm	060	370
40 / 400 mm	040	400

SCTSD-L-xxxFO-xxxFO

Special version

Note: Kit 5 contains five SCTSD-L combination switches.
Pre-sets on the TemperatureController vary according to the output version.

Combination switch

SCTSD-L-xxxxx-xxxxx-xx-KIT5

2 level outputs, temperature display
2 temperature switching outputs

Length (L1 mm)

min. 30 mm / max. 950 mm

Version

Falling closed — FC
Falling open — FO
Rising closed — RC
Rising open — RO

Length (L2 in mm)

min. 30 mm / max. 950 mm

Version

Falling closed — FC
Falling open — FO
Rising closed — RC
Rising open — RO

Combination switch

SCTSD-L-xxxxx-xxxxx-1x-KIT5

2 level outputs, temperature display
1 temperature-analogue output
(0/4...20 mA)

Length (L1 mm)*

min. 30 mm / max. 950 mm

Version

Falling closing — FC
Falling open — FO
Rising closing — RC
Rising open — RO

Length (L2 in mm)*

min. 30 mm / max. 950 mm

Version

Falling closing — FC
Falling open — FO
Rising closing — RC
Rising open — RO

Plug-in connection

M12; 4-pole (1 temperature switching output) — 7
M12; 5-pole (2 temperature switching outputs) — 5

*Switching output 1 (L1) can be above or below switching output 2 (L2)
L1 and L2 are multiples of 10 mm
Smallest difference between L1 and L2 = 30 mm

SCLSD LevelController

Device features

- Proven measuring system
- Level display
- mm / inch / % display
- High and low display
- Analogue output
- Switching outputs
- No surge pipe necessary
- Replacement for several mechanical switches
- Pivoting



The LevelController combines the functions of a level switch, a level sensor and a level display.

- Level display (inspection glass)
- Switching outputs
- Analogue signal

The LevelController is ideal for the monitoring tank contents.

Easy to use

The parameters are set using the keys or over a programming module.

High functionality

Each switching output can be adjusted individually:

- NO/NC contact
- Upper and lower level switching point
- Delay times
- Hysteresis / window function
- Attenuation

The analogue output is individually adjustable:

- 0/4 to 20 mA switchable
- Upper level adjustable
- Lower level adjustable

Reliable and safe

The position of the float is finely (≥ 5 mm) and continuously recorded and shown in the display in mm or inch. Through this continuous recording, the danger of individual mechanical contacts "sticking" no longer exists. Therefore the operational reliability of the monitored plant is increased. Parameters can be password protected to avoid unauthorised changes.

Everything at a glance

The display can be read from long distances. Using the selectable percent display the full level is uniformly displayed independent of the tank shape. An offset can also be entered (difference from the sensor to the tank bottom) to give a realistic indication of the level from the tank bottom.

Different uses can easily be implemented or corrected at a later date using the menu-driven level switching points. As the switching point no longer needs to be specified at the time of order, the versions of mechanical level switches required is reduced.

Universal

Thanks to these easy switching functions (hysteresis and window functions, NC or NO functions), intelligent adjustments can be set which are normally not possible using a mechanical level switch. Therefore, many switches can be replaced with one controller. With the optional analogue output, the level and temperature can be monitored easily with a controller (e.g. for leakage monitoring).

SCLSD LevelController

Application example: Tank temperature monitoring

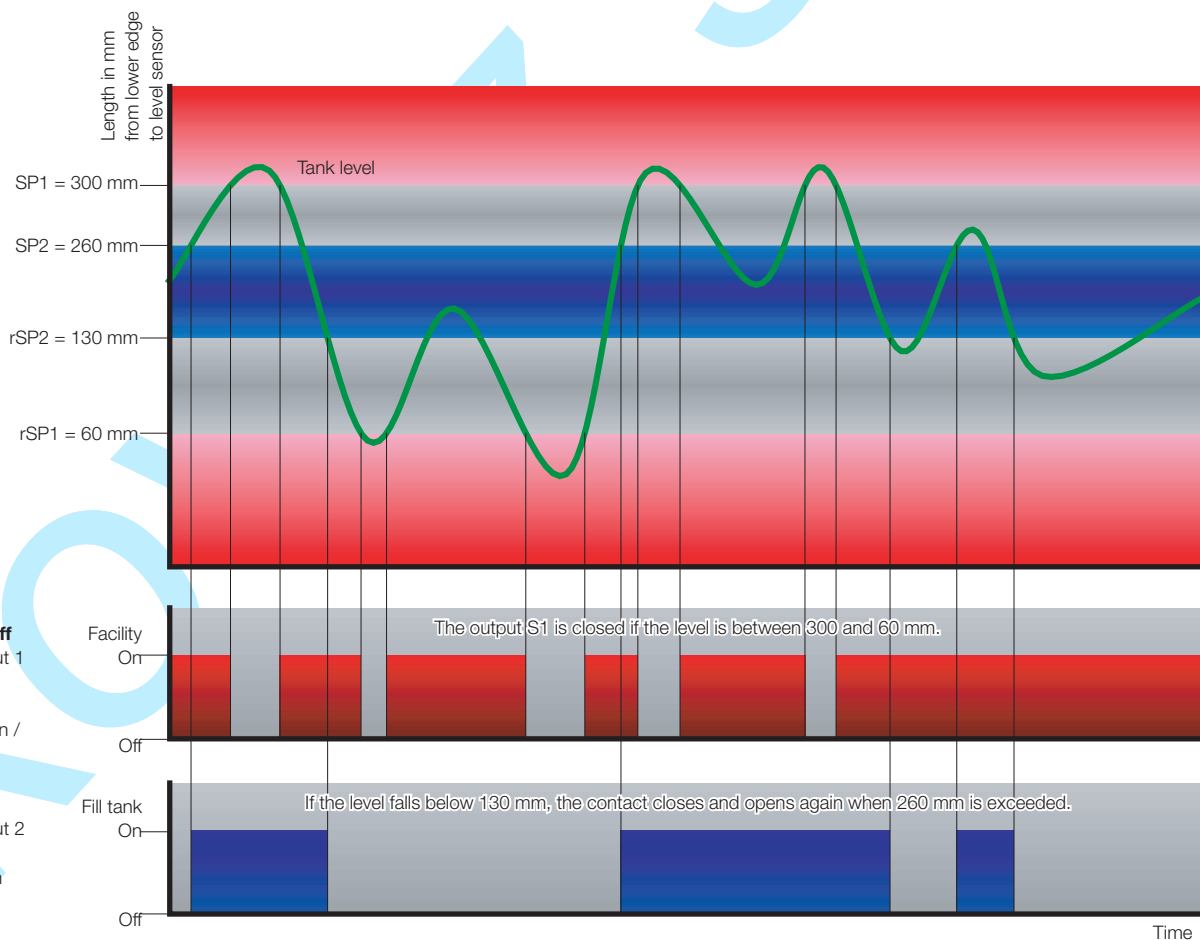
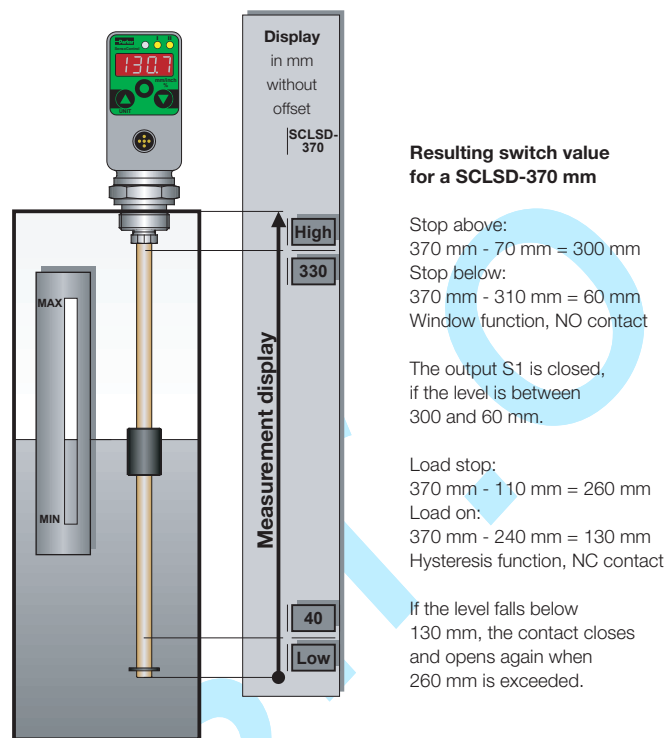
Since the conventional specifications for mechanical level switches (the mm data from the tank lid) are often used during project planning, these data are selected here for a practical example.

Facility off

If the tank level falls below 310 mm (measured from the tank top / dry run) or climbs above 70 mm (measured from the tank top / overflow), switch off should occur. A protective wire-break mechanism should be considered to improve safety.

Automatic tank filling

If the tank level falls below 240 mm (measured from the tank top), the tank should be automatically filled to 110 mm (measured from the tank top) with a pump.



Facility On / Off
Switching output 1
SP1 = 300 mm
rSP1 = 60 mm
Window function /
NO contact

Fill tank
Switching output 2
SP2 = 260 mm
rSP2 = 130 mm
Hysteresis NC
contact

SCLSD LevelController

Device features

Everything at a glance

- Sloped display
- Digital display
 - Large
 - Illuminated
- Display
 - mm, inch, or %
 - Actual level
 - High and low display
 - Switching points

Rugged

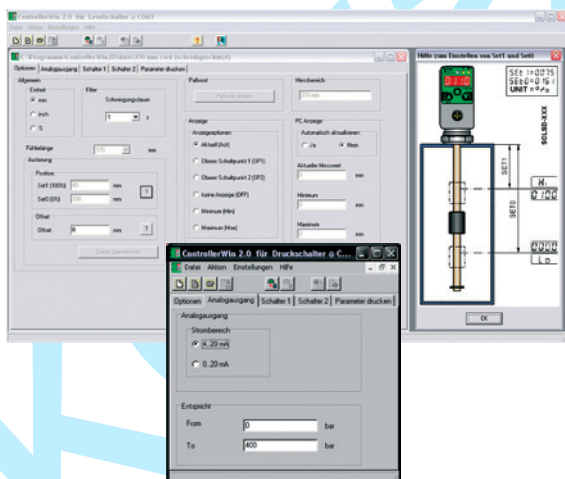
- Metal housing
- Waterproof
- Excellent interference immunity
- Vibration proof
- Shock proof

Variable installation

- Compact size
- 290° pivotable
- G3/4 BSPP
- Flange for DIN

Programming module

- Adjustable with ControllerWIN Software



Optical interface

- Switch status is shown

Easy to use

- 3 large buttons
- Display of the unit

Connect as required

- 2 switching outputs
- Analogue output
- 0 to 20 or 4 to 20 mA
- Freely programmable
- Scalable
- M12 connecting plugs

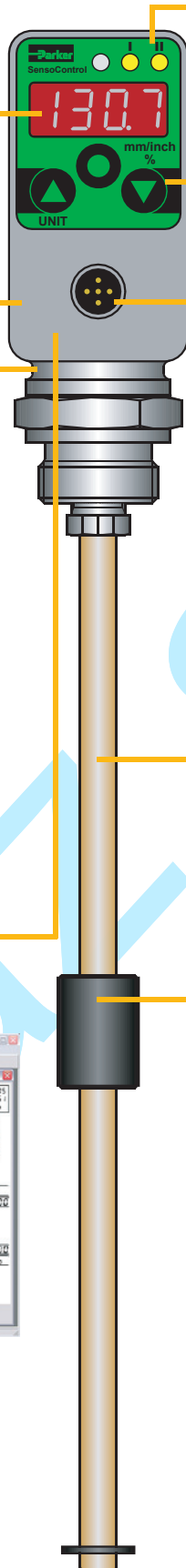


No surge pipe necessary

- Electronic attenuation adjustable attenuation

Proven measuring system

- High float dynamics
- Small design
- Universal usage



SCLSD LevelController

Technical data

Input parameters	
Measuring component	Resistance reed chain with float
Connector thread	G3/4 BSPP; nickel-plated brass; ED soft seal NBR*
Parts in contact with substances	Brass; nickel-plated brass; NBR*
Temperature range of substance	-20 to +85 °C
Compatibility with media (substances)	Water; lubricating oil; hydraulic oil; acids; alkalis
Output values	
Switching point accuracy	± 1 % FS at 25 °C
Display accuracy	± 1 % FS ± 1 Digit at 25 °C
Response speed	≤ 700 ms
Resolution	7.5 mm
Float	
Material	NBR
Dimensions	Ø 18 mm, Length 35 mm
Level rod	
Material	Brass
Dimensions	Ø 8 mm
Operating pressure	1 bar
Electrical connection	
Supply voltage V ₊	15 to 30 VDC nominal 24 VDC; Protection class 3
Electrical connection	M12x1; 4-pole; 5-pole; with gold-plated contacts
Short-circuit protection	Yes
Protection against wrong insertion	Yes
Overload protection	Yes
Current consumption	< 100 mA

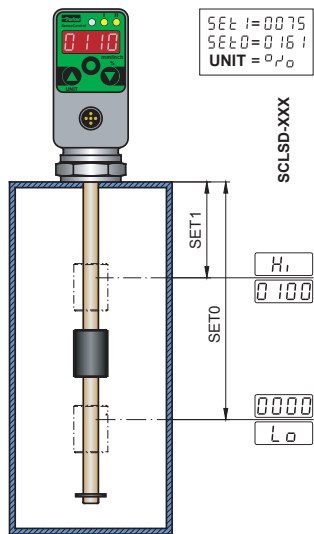
Housing	
	Adjustable direction to 290°C
Material	Die-cast zinc Z 410; painted
Foil material	Polyester
Display	4-digit 7-segment LED; red; digit height 9 mm
Protection degree	IP67 DIN EN 60529
Ambient conditions	
Ambient temperature range	-20 to +85 °C
Storage temperature range	-40 to +100 °C
EM compatibility	
Disturbance emissions	EN 61000-6-3
Resistance to interference	EN 61000-6-2
Outputs	
Switching outputs	Two MOSFET high-side switches (PNP)
Contact functions	NO / NC contact; window / hysteresis function freely adjustable
Switching voltage	V ₊ - 1.5 VDC
Switching current max.	0.5 A per switch
Short-circuit current	2.4 A per switch
Analogue output	0/4 to 20 mA; programmable; freely scalable RL ≤ (power supply - 8 V) / 20 mA (≤ 500 Ω)

* different sealing material (FKM, EPDM etc.) upon request

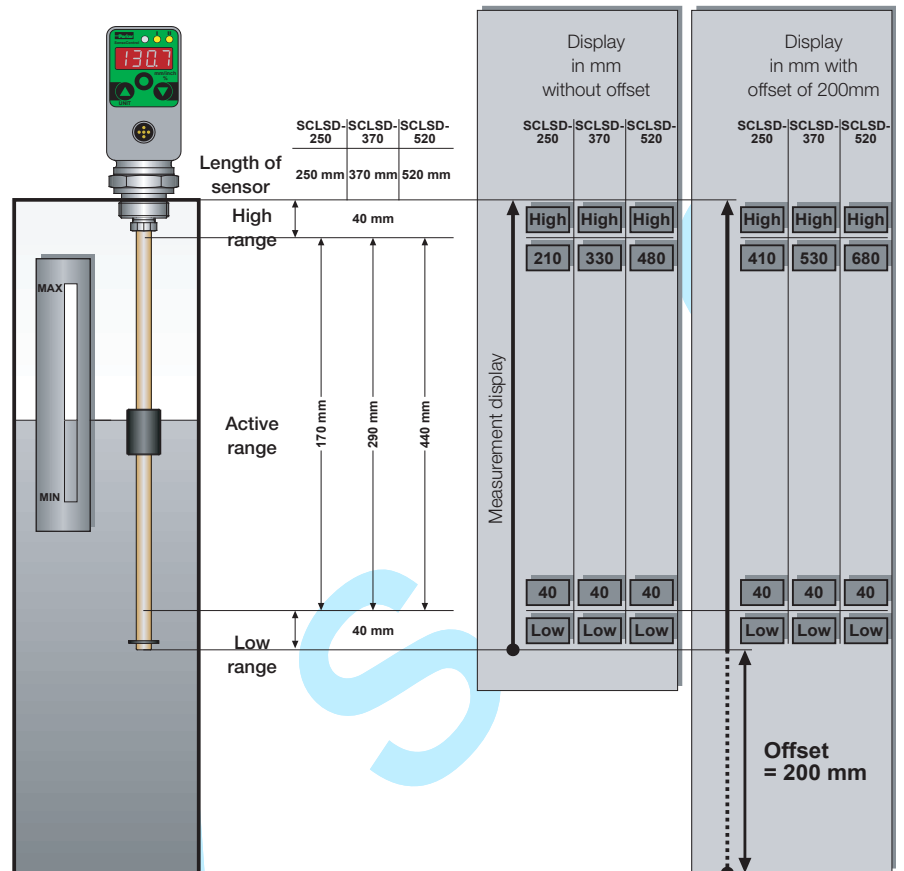
SCLSD LevelController

Display possibilities

Example of a percent display



Example of a mm display

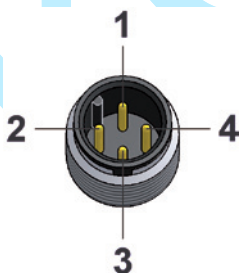


L1 Sensor length Measurement range	L2 active range	Display resolution Increment size	Incre- ment size	Lowest reset switch point RSP	Largest switch- ing value SP	Smallest adjustable difference between SP and RSP (SP-RSP)
250 mm	40 to 210 mm	1 mm	5 mm	40 mm	210 mm	5 mm
370 mm	40 to 330 mm	1 mm	5 mm	40 mm	330 mm	5 mm
520 mm	40 to 480 mm	1 mm	5 mm	40 mm	480 mm	5 mm
800 mm	40 to 760 mm	1 mm	10 mm	40 mm	760 mm	10 mm
1000 mm	40 to 960 mm	1 mm	10 mm	40 mm	960 mm	10 mm

Pin assignment

SCLSD-xxx-00-07

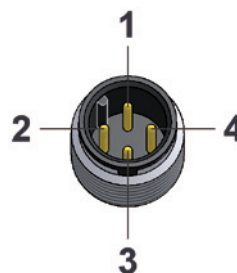
2 switching outputs; M12x1; 4-pole



PIN	Assignment
1	V ₊
2	S2 out
3	0 V / GND
4	S1 out

SCLSD-xxx-10-07

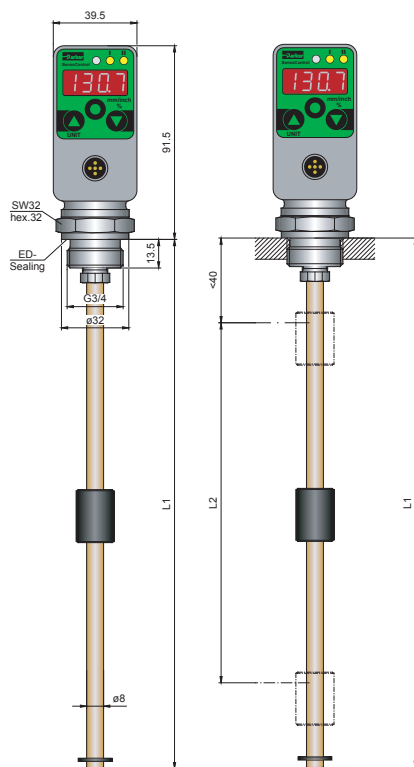
1 switching output, 1 analogue output, M12x1; 4-pole



PIN	Assignment
1	V ₊
2	Analogue out
3	0 V / GND
4	S1 out

SCLSD LevelController

Dimensioned drawings



L1 = length of the sensor (mm)
L2 = active range (mm)

Order code

SCLSD LevelController

2 switching outputs; no analogue output SCLSD-xxx-00-07
M12x1 connecting plug; 4-pole

1 switching output; with analogue output SCLSD-xxx-10-07
M12x1 connecting plug; 4-pole

2 switching outputs; with analogue output SCLSD-xxx-10-05
M12x1 connecting plug; 5-pole

Length (Installation length L1 mm)

250 mm	250
370 mm	370
520 mm	520
800 mm	800
1000 mm	1000

Accessories

PC Programming Kit

SCSD-PRG-KIT

Flange adapter

SCAF-3/4-90

6-hole connection DIN 24557, part 2

Connection cable and single plug

Connection cable, assembled

SCK-400-xx-xx

(open cable end)

Cable length (m)

2 m	02
5 m	05
10 m	10

Plug

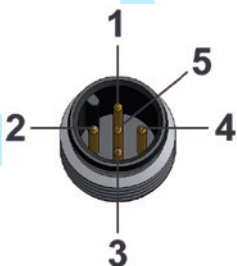
M12 cable jack; straight	45
M12 cable jack; 90° angled	55

Single connector

M12 cable jack; straight	SCK-145
M12 cable jack; 90° angled	SCK-155

SCLSD-xxx-10-05

2 switching outputs, 1 analogue output
M12x1; 5-pole



PIN	Assignment
1	V ₊
2	S2 out
3	0 V / GND
4	S1 out
5	Analogue out

SCLTSD LevelTempController

Device features

- Proven measuring system
- Pivoting
- Level display
- mm / inch / % display
- High and low display
- Analogue output
- Switching outputs
- Only one hole
- No surge pipe necessary
- Replacement for several mechanical switches

With the **LevelTempController**, you can set up and display the temperature and the level individually using a common platform. When monitoring the tank, this integration of level and temperature functionality opens up many possibilities.

The **LevelTempController** combines the functions of a level and temperature switch, a level and temperature sensor and a level and temperature indicator:

- Level and temperature display (thermometer / inspection glass)
- Switching outputs
- Analogue signal

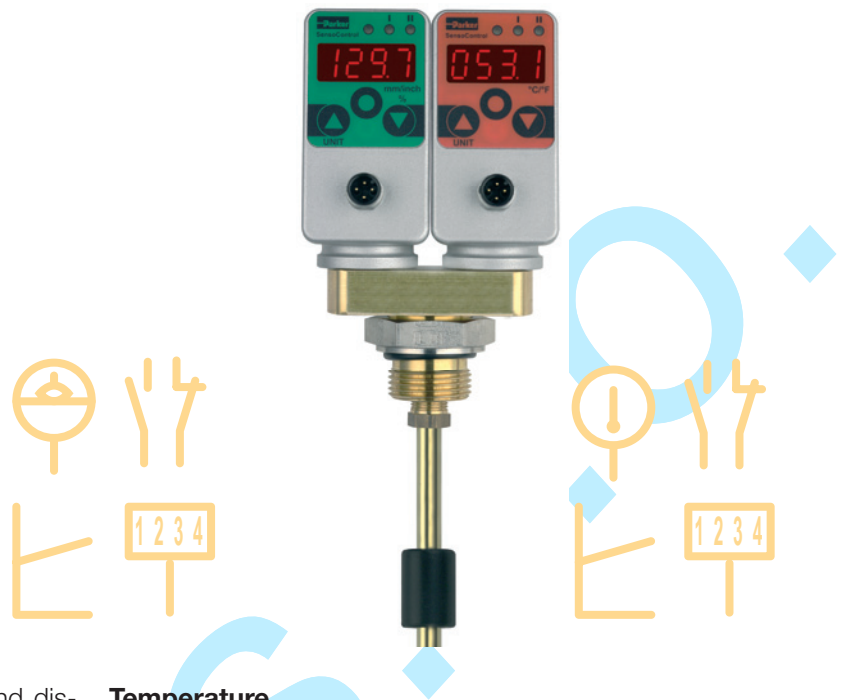
Level

The position of the float is finely (≥ 5 mm) and continuously recorded and shown in the display in mm or inch. Because the level is continuously recorded, the danger of individual mechanical contacts "sticking" no longer exists. Therefore the operational reliability of the monitored plant is greatly increased.

Using the selectable percent display, the full level is uniformly displayed for the users, independent of the tank shape. An offset can also be entered (difference from the sensor to the tank bottom) to give a realistic indication of the level from the tank bottom.

Different uses can easily be implemented or corrected at a later date using the menu-driven level switching points.

As the switching point no longer needs to be specified at the time of order, the versions of mechanical level switches required is reduced.



Temperature

The temperature in the substance is continuously recorded and displayed. The switching outputs can be individually set up just like the LevelController. Naturally all the convenient switching functions are available: window, hysteresis function and open / close as well as an analogue output for temperature.

Reliable and safe

Parameters can be password protected to avoid unauthorised changes.

Universal

Thanks to these easy switching functions (hysteresis and window functions, NC or NO functions), intelligent adjustments can be set on the LevelTempController which are normally not possible using a mechanical level switch. Therefore, many switches can be replaced with one controller. With the optional analogue outputs, the level and temperature can be monitored easily with a controller.

Level: e.g. for leakage monitoring

Temperature: e.g. coolers, heating, alarm, shutdown

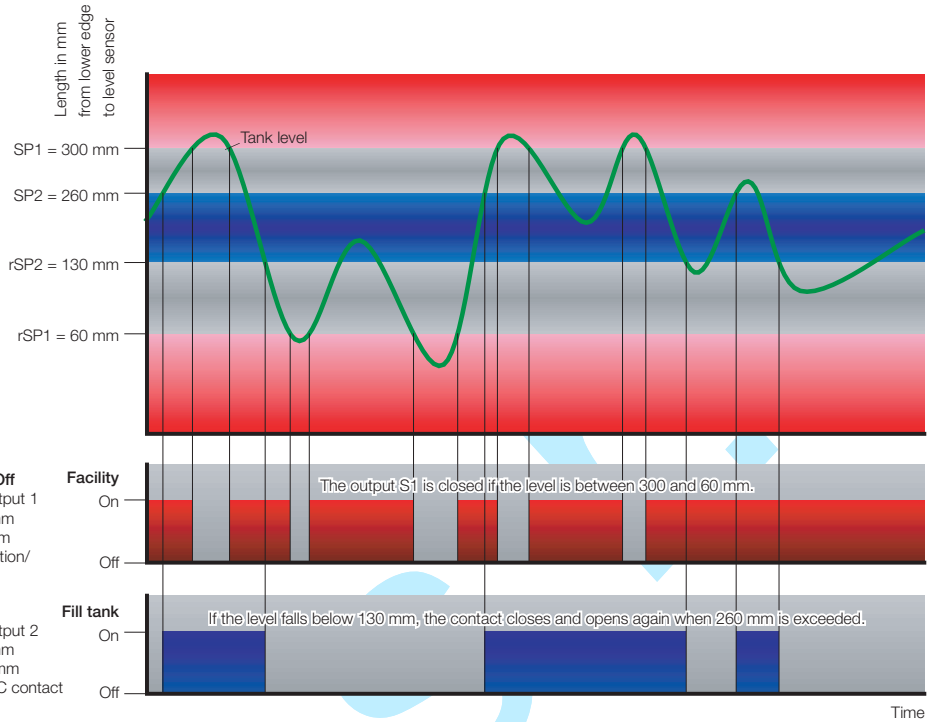
SCLTSD LevelTempController

Application examples

SCLSD



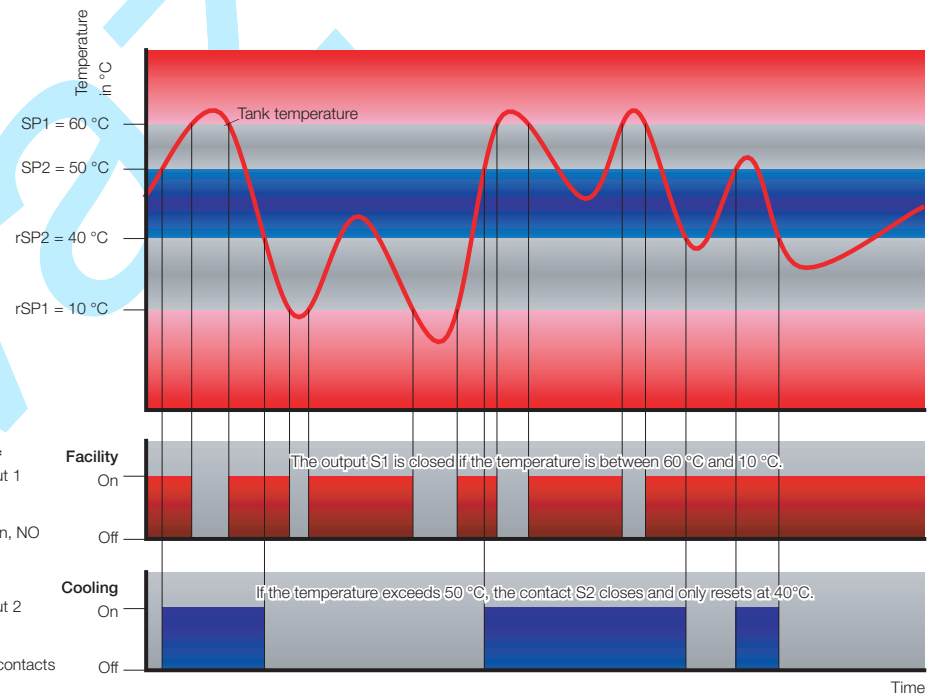
Application example
Refer to page 79



SCTSD



Application example
Refer to page 63



SCLTSD LevelTempController

Device features

Everything at a glance

- Sloped display
- Digital display
 - Large
 - Illuminated
 - Switching points
- Display level
 - mm, inch, or %
 - Actual level
 - High and low display
- Temperature display
 - °C, °F
 - Current temperature

Rugged

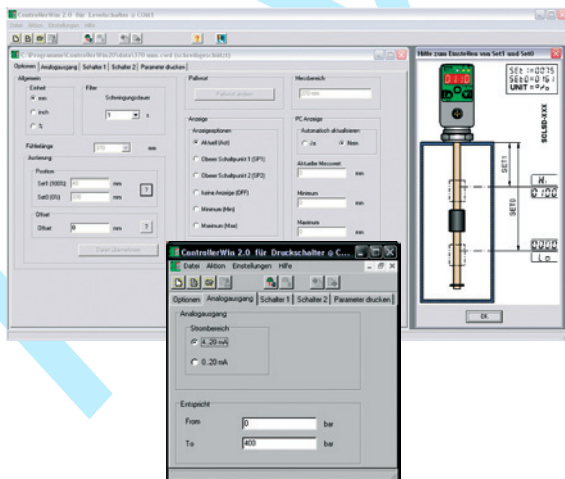
- Metal housing
- Waterproof
- Excellent interference immunity
- Vibration proof
- Shock proof

Variable installation

- A coupling hole
- Compact size
- 290° pivotable
- G3/4 BSPP
- DIN flange

Programming module

- Adjustable with ControllerWIN Software



Optical interface

- Switch status is shown

Easy to use

- 3 large buttons
- Display of the unit

Connect as required

- 2 switching outputs
- Analogue output
- 0 to 20 or 4 to 20 mA
- Freely programmable
- Scalable
- M12 connecting plugs

Twin concept

- 2 in 1

No surge pipe necessary

- Electronic attenuation
- adjustable attenuation

Level

- Proven measuring system
- High float dynamics
- Small design
- Universal usage

Temperature sensor

- Integrated in the rod end



SCLTSD LevelTempController

Technical data

Electrical connection	
Supply voltage V_+	15 to 30 VDC nominal 24 VDC; Protection class 3
Electrical connection	M12x1; 4-pole; 5-pole; with gold-plated contacts
Short-circuit protection	Yes
Protection against wrong insertion	Yes
Overload protection	Yes
Current consumption	< 100 mA
Housing	
	Adjustable direction to 290°C
Material	Die-cast zinc Z 410; painted
Foil material	Polyester
Display	4-digit 7-segment LED; red; digit height 9 mm
Protection degree	IP67 DIN EN 60529
Ambient conditions	
Ambient temperature range	-20 to +85 °C
Storage temperature range	-40 to +100 °C
EM compatibility	
Disturbance emissions	EN 61000-6-3
Resistance to interference	EN 61000-6-2
Outputs	
Switching outputs	Two MOSFET high-side switches (PNP)
Contact functions	NO / NC contact; window / hysteresis function freely adjustable
Switching voltage	$V_+ - 1.5$ VDC
Switching current max.	0.5 A per switch
Short-circuit current	2.4 A per switch
Analogue output	0/4 to 20 mA; programmable; freely scalable $RL \leq (V_+ - 8 \text{ V}) /$ 20 mA ($\leq 500 \Omega$)

Level

Input parameters	
Measuring component	Resistance reed chain with float
Connector thread	G3/4 BSPP; nickel-plated brass; ED soft seal NBR*
Parts in contact with substances	Brass; nickel-plated brass; NBR*
Temperature range of substance	-20 to +85 °C
Compatibility with media (substances)	Water; lubricating oil; hydraulic oil; acids; alkalis

Output values	
Switching point accuracy	± 1 % FS at 25 °C
Display accuracy	± 1 % FS ± 1 Digit at 25 °C
Response speed	≤ 700 ms
Resolution	7.5 mm

Float	
Material	NBR
Dimensions	$\varnothing 18$ mm, Length 35 mm

Level rod	
Material	Brass
Dimensions	$\varnothing 8$ mm
Operating pressure	1 bar

Temperature

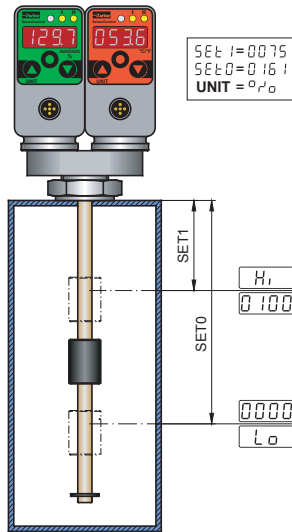
Output values	
Switching point accuracy	± 0.35 % FS at 25 °C
Display accuracy	± 0.35 % FS ± 1 Digit at 25 °C
Response speed	≤ 300 ms
Analogue output	0/4 to 20 mA; programmable; freely scalable; 4 to 20 mA = -40 to 125 °C

* different sealing material (FKM, EPDM etc.) upon request

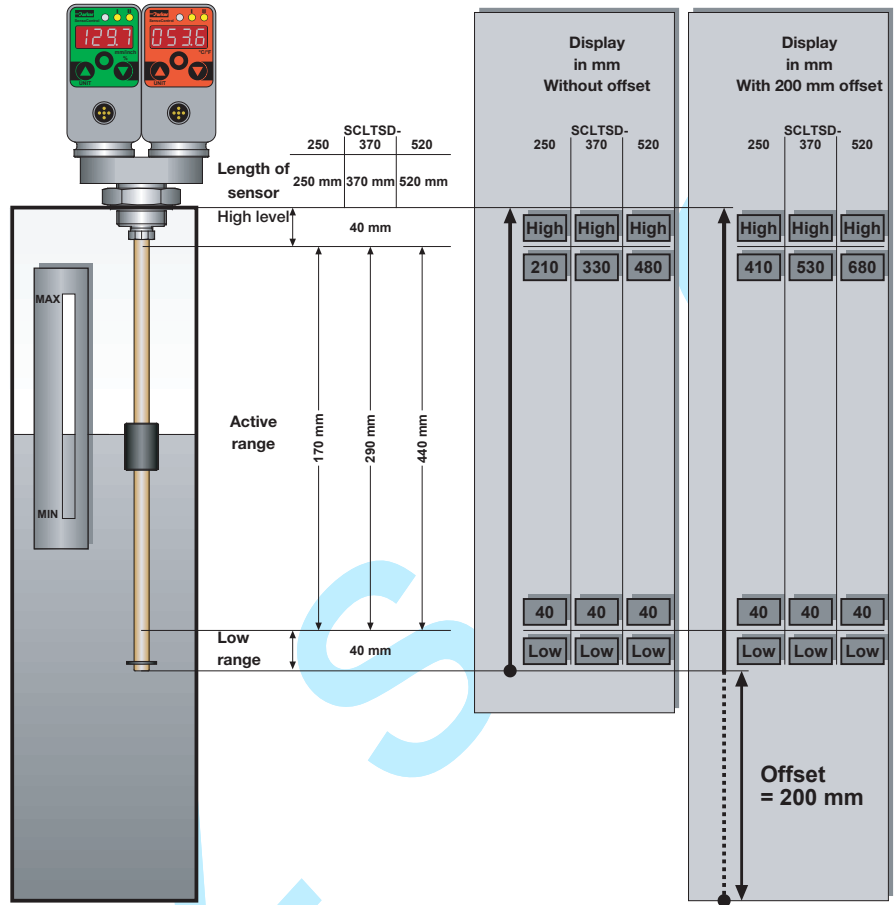
SCLTSD LevelTempController

Display possibilities

Example of a percent display



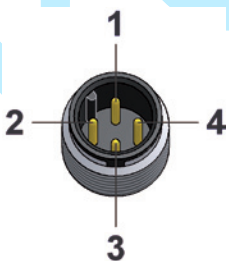
Example of a mm display



L1 Sensor length Measurement range	L2 active range	Display reso- lution Increment size	Increment size	Lowest reset switch point RSP	Largest switch- ing value SP	Smallest adjustable difference between SP and RSP (SP-RSP)
250 mm	40 to 210 mm	1 mm	5 mm	40 mm	210 mm	5 mm
370 mm	40 to 330 mm	1 mm	5 mm	40 mm	330 mm	5 mm
520 mm	40 to 480 mm	1 mm	5 mm	40 mm	480 mm	5 mm
800 mm	40 to 760 mm	1 mm	10 mm	40 mm	760 mm	10 mm
1000 mm	40 to 960 mm	1 mm	10 mm	40 mm	960 mm	10 mm

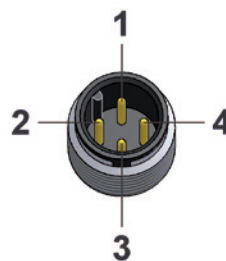
Pin assignment

SCLTSD-xxx-00-07 for temperature and level
2 switching outputs; M12x1; 4-pole



PIN	Assignment
1	V ₊
2	S2 out
3	0 V / GND
4	S1 out

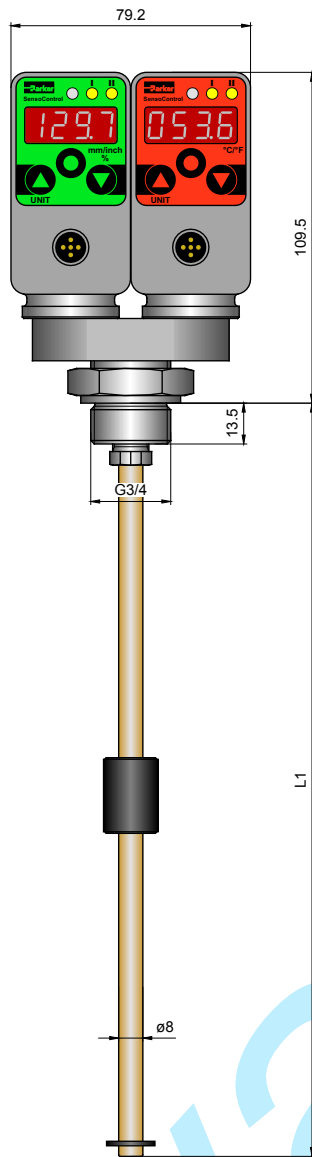
SCLTSD-xxx-10-07 for temperature and level
1 switching output, 1 analogue output, M12x1; 4-pole



PIN	Assignment
1	V ₊
2	Analogue out
3	0 V / GND
4	S1 out

SCLTSD LevelTempController

Dimensioned drawings



L1 = length of the sensor (mm)
L2 = active range (mm)

Order code

SCLTSD LevelTempController

2 switching outputs; no analogue output SCLTSD-xxx-00-07
M12x1 connecting plug; 4-pole

1 switching output; with analogue output SCLTSD-xxx-10-07
M12x1 connecting plug; 4-pole

2 switching output; with analogue output SCLTSD-xxx-10-05
M12x1 connecting plug; 5-pole

Installation length (L1 mm)

250 mm	250
370 mm	370
520 mm	520
800 mm	800
1000 mm	1000

Accessories

PC Programming Kit

SCSD-PRG-KIT

Flange adapter

SCAF-3/4-90

6-hole connection DIN 24557, part 2

Connection cable and single plug

Connection cable, assembled
(open cable end)

SCK-400-xx-xx

Cable length (m)

2 m	02
5 m	05
10 m	10

Plug

M12 cable jack; straight	45
M12 cable jack; 90° angled	55

Single connector

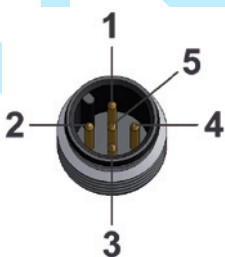
M12 cable jack; straight

SCK-145

M12 cable jack; 90° angled

SCK-155

SCLTSD-xxx-10-05 for temperature and level
2 switching outputs, 1 analogue output; M12x1; 5-pole



PIN	Assignment
1	V ₊
2	S2 out
3	0 V / GND
4	S1 out
5	Analogue out

SCOTC OilTankController

Device features

- Proven measuring system
- Level and temperature display
- mm / inch / % display
- High and low display
- Only one hole
- Continuous level measurement
- Connection
 - Filling coupling
 - Air filter
 - Low pressure
- No surge pipe necessary

In addition to the **LevelTempController**, the **OilTankController** also offers standardised connections for an air filter and a fill coupling.

When monitoring the tank for series use, this integration of level and temperature functionality together with air filter and fill adapter port opens up many possibilities. An additional connecting hole is required for the four functions.

The OilTankController combines the functions of a level and temperature switch, a level and temperature sensor and a level and temperature display:

- Level and temperature display (thermometer / inspection glass)
- Switching outputs
- Analogue signal

Level

The position of the float is finely (≥ 5 mm) and continuously recorded and shown in the display in mm or inch. Because the level is continuously recorded, the danger of individual mechanical contacts "sticking" no longer exists. Therefore the operational reliability of the monitored plant is greatly increased.

Using the selectable percent display, the full level is uniformly displayed for the users, independent of the tank shape. An offset can also be entered (difference from the sensor to the tank bottom) to give a realistic indication of the level from the tank bottom.

Different uses can easily be implemented or corrected at a later date using the menu-driven level switching points.



As the switching point no longer needs to be specified at the time of order, the versions of mechanical level switches required is reduced.

Temperature

The temperature in the substance is continuously recorded and displayed. The switching outputs can be individually set up just like the LevelController. Naturally all the convenient switching functions are available: window, hysteresis function and open/close as well as an analogue output for temperature.

Reliable and safe

Parameters can be password protected to avoid unauthorised changes.

Universal

In combination with the comfortable switch functions like hysteresis and window function, open/close contact functions **LevelTempController** intelligent settings can be made which are not possible with a mechanical level/temperature switch. Therefore, many switches can be replaced with one controller. With the optional analogue outputs, the level and temperature can be monitored easily with a controller.

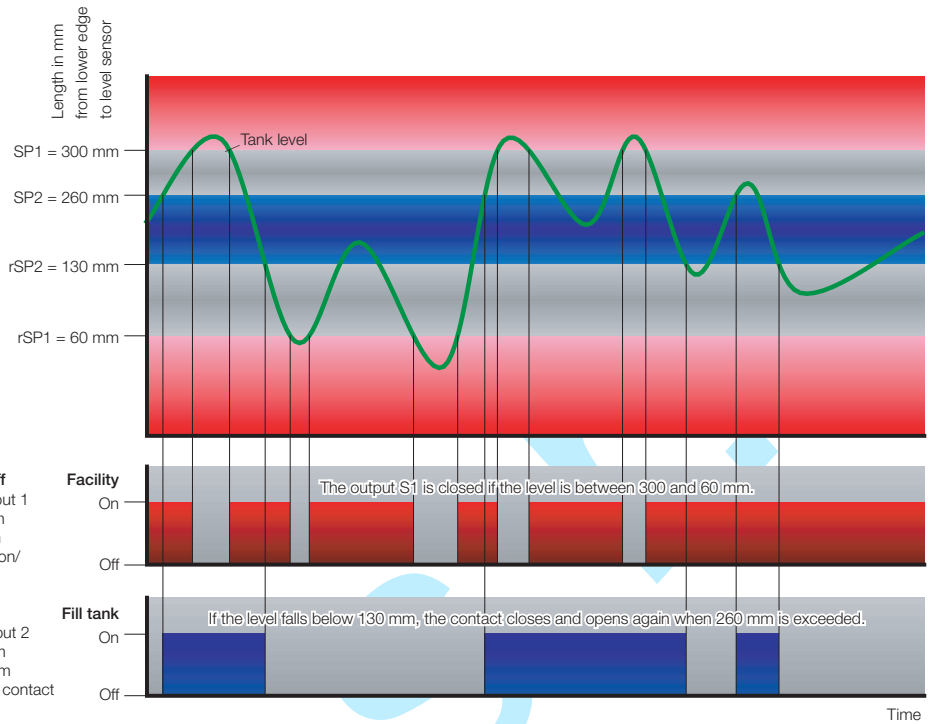
Level: e.g. for leakage monitoring

Temperature: e.g. coolers, heating, alarm, shutdown

SCOTC OilTankController

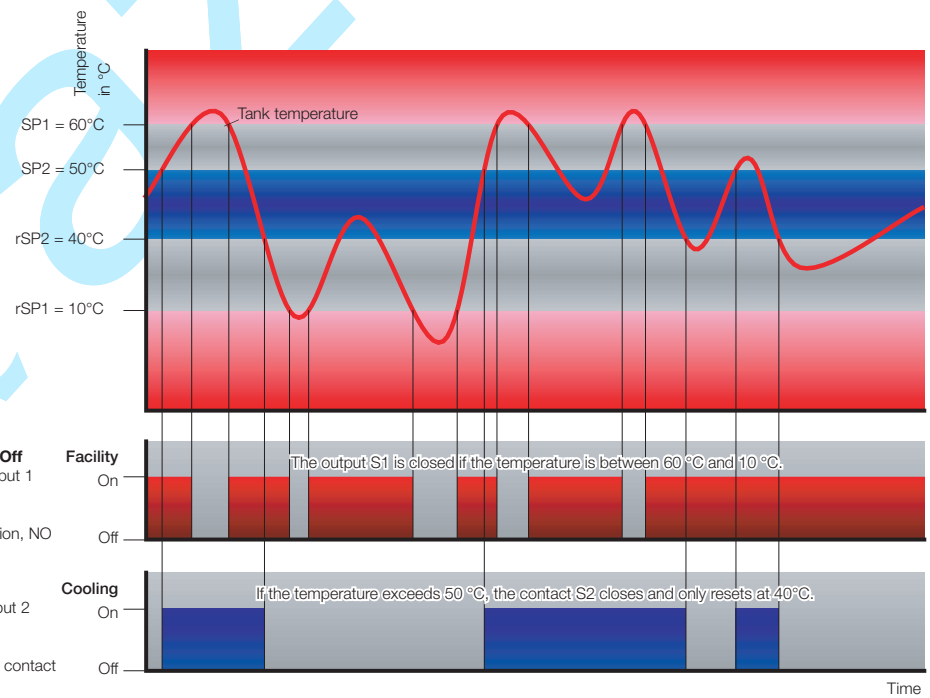
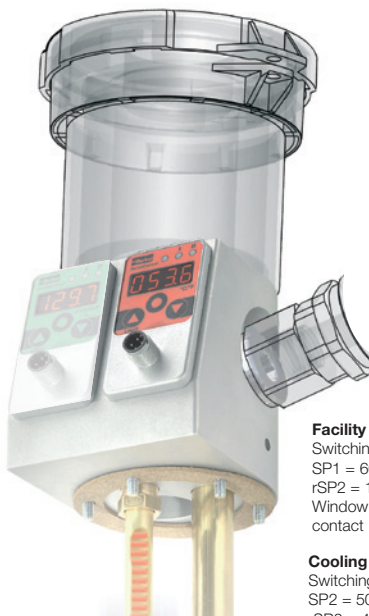
Application examples

SCLSD



Application example
Refer to page 79

SCTSD



Application example
Refer to page 63

SCOTC OilTankController

Device features

Getting to the point

- Compact construction (4 in 1)
- Easy adjustment of the switching points using the menu
- Analogue output
- Safety control
- Cost savings in the logistics, assembly and maintenance

Level and temperature

- Display
- Adjustable switching output
- Analogue output

The extended version

with safety control

- Additional fixed switching contacts
- Level min/max
- Temperature too high

Real fill level

- The level controller continuously measures the position of the float and continuously shows the position in the display.
- Up to 1000 mm

No surge pipe necessary

- Electronic attenuation adjustable attenuation

Temperature sensor

- Integrated in the rod end

6-hole standard for

- Ventilation filter* (DIN 24557, part 2)

G3/4 BSPP for

- Filling coupling*

G1/8 BSPP for

- Low pressure switch*
- Clogging indicator*

6-hole standard for

- Tank connection (DIN 24557, part 2)

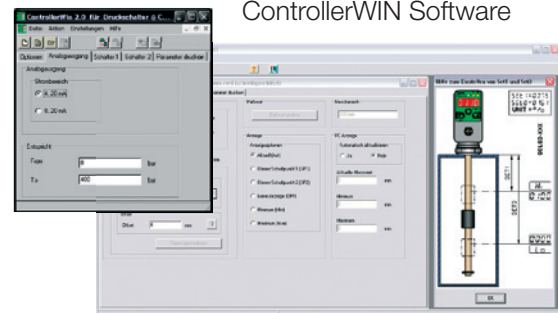
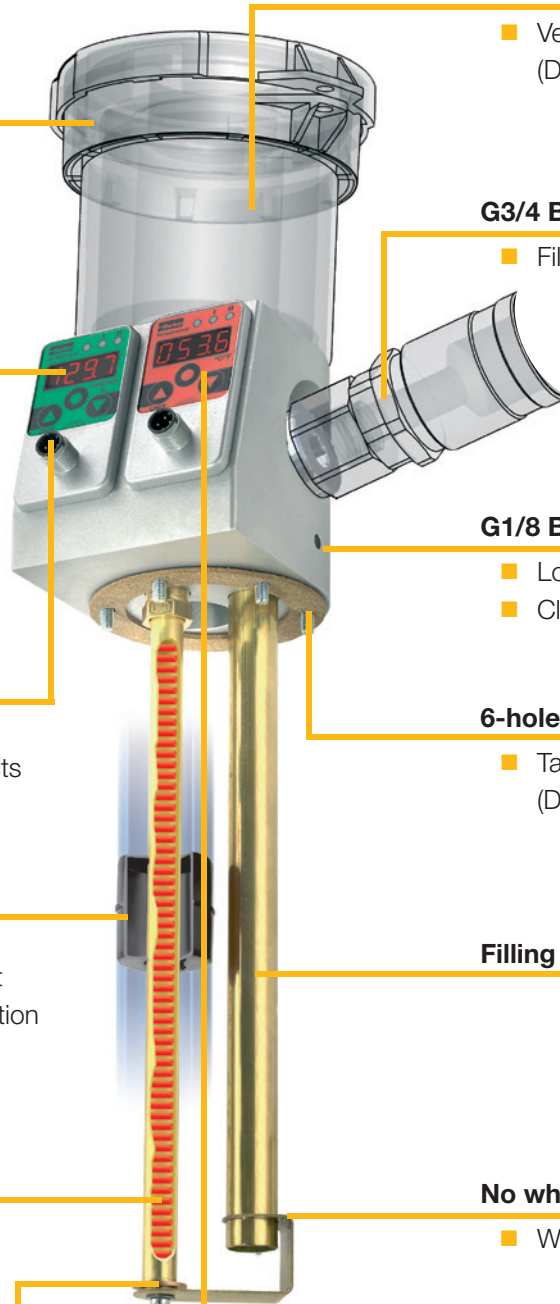
Filling tube

No whirl-up

- Whirl-up protection

Programming module

- Adjustable with ControllerWIN Software



* Venting filter, filling coupling, low pressure switch and clogging indicator are not included in the delivery.

SCOTC OilTankController

Technical data

SCOTC	250	370	520	800	1000
Tank installation length	250 mm	370 mm	520 mm	800 mm	1000 mm
Adjustment range	40 to 210 mm	40 to 330 mm	40 to 480 mm	40 to 760 mm	40 to 960 mm

Electrical connection	
Supply voltage V_+	15 to 30 VDC nominal 24 VDC; Protection class 3
Electrical connection	M12x1; 4-pole; 5-pole; with gold-plated contacts
Short-circuit protection	Yes
Protection against wrong insertion	Yes
Overload protection	Yes
Current consumption	< 100 mA
Housing	
Material	Die-cast zinc Z 410; painted Aluminium
Foil material	Polyester
Display	4-digit 7-segment LED; red; digit height 9 mm
Protection degree	IP67 DIN EN 60529
Ambient conditions	
Ambient temperature range	-20 to +80 °C
Storage temperature range	-40 to +100 °C
Sampling period	300 ms
Display refresh	1 s
EM compatibility	
Disturbance emissions	EN 61000-6-3
Resistance to interference	EN 61000-6-2
Outputs	
Switching outputs	Two MOSFET high-side switches (PNP)
Contact functions	NO / NC contact; window / hysteresis function freely adjustable
Switching voltage	$V_+ - 1.5$ VDC
Switching current max.	0.5 A per switch
Short-circuit current	2.4 A per switch
Optional analogue output	
Measuring range	0/4 to 20 mA; programmable
Response speed (0 to 95%)	≤ 300 ms
Error	± 1 % FS
Load	≤ 500 Ω from $V_0 > 18$ VDC

Level

Input variables	
Measuring component	Reed chain resistance
Connector thread	6 hole standard- DIN 24557, part 2
Output variables	
Switching point accuracy	± 1 % FS at 25 °C
Display accuracy	± 1 % FS ± 1 Digit at 25 °C
Response speed	≤ 700 ms
Resolution	5 mm to 520 mm; 10 mm > 520 mm
Float	
Material	Polypropylene
Dimensions	Ø 35 mm, Length 40 mm
Level rod	
Material	Brass
Dimensions	Ø 12 mm
Operating pressure	1 bar max.
Optional Lo-Hi contact (S3 out)	
Alarm contact	In series switched Lo and Hi NC contact
Maximum load current	0.7 A
Temperature	
Input variables	
Sensor element	PT1000
Filling tube	Ø 18x1 mm
Response time	$\tau_{0.9} = 60$ s
Output variables	
Switching point accuracy	± 0.5 % FS at 25 °C
Display accuracy	± 0.5 % FS ± 1 Digit at 25 °C
Response speed	≤ 300 ms
Analogue output	0/4 to 20 mA; programmable; freely scalable; 4 to 20 mA = -40 to 125 °C
Optional temperature switch (S3 out)	
Alarm contact with > 65 °C	Open contact
Maximum charging current	0.7 A

SCOTC OilTankController

Pin assignment

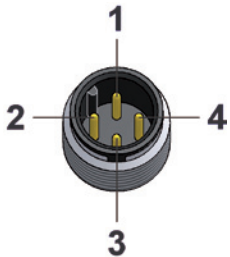
Without safety-control-output

SCOTC-xxxx-00-07

for temperature and level

2 switching outputs

M12x1; 4-pole



PIN	Assignment
1	V ₊
2	S2 out
3	0 V / GND
4	S1 out

SCOTC-xxxx-10-07

for temperature and level

2 switching outputs, 1 analogue output

M12x1; 5-pole



PIN	Assignment
1	V ₊
2	Analogue out
3	0 V / GND
4	S1 out

SCOTC-xxxx-10-05

for temperature and level

2 switching outputs, 1 analogue output

M12x1; 5-pole



PIN	Assignment
1	V ₊
2	S2 out
3	0 V / GND
4	S1 out
5	Analogue out

With safety-control-output

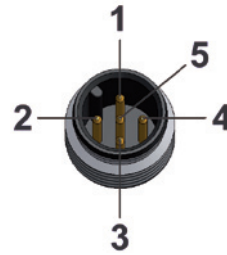
SCOTC-xxxx-00-05

Level:

Two variable switching outputs,

One fixed safety-control-output level min/max;

M12x1; 5-pole



PIN	Assignment
1	V ₊
2	S2 out
3	0 V / GND
4	S1 out
5	S3 out (L-Low / L-High)

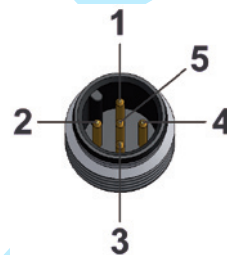
SCOTC-xxxx-00-05

Temperature:

Two variable switching outputs,

One fixed safety-control-output temperature max. 65 °C

M12x1; 5-pole

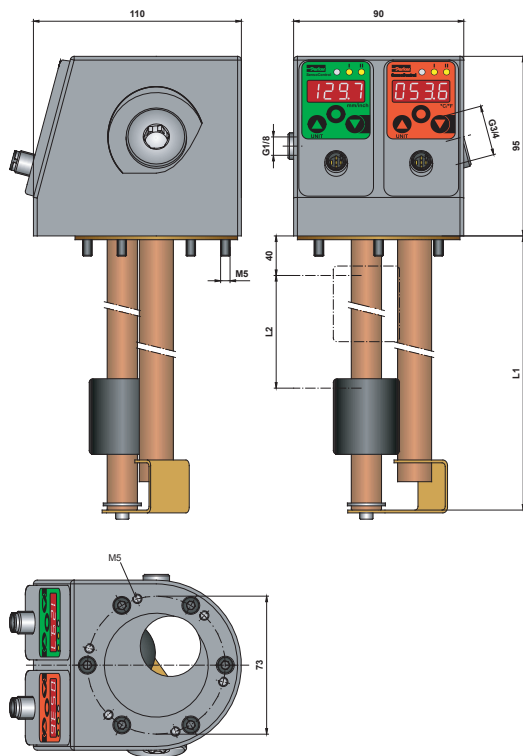


PIN	Assignment
1	V ₊
2	S2 out
3	0 V / GND
4	S1 out
5	S3 out (T-High)

L1 Sensor length Measurement range	L2 active range	Display resolu- tion increment size	Increment size	Lowest reset switch point RSP	Largest switch- ing value SP	Smallest adjustable difference between SP and RSP (SP-RSP)
250 mm	170 mm	1 mm	5 mm	40	210	5 mm
370 mm	290 mm	1 mm	5 mm	40	330	5 mm
520 mm	440 mm	1 mm	5 mm	40	480	5 mm
800 mm	720 mm	1 mm	10 mm	40	760	10 mm
1000 mm	920 mm	1 mm	10 mm	40	960	10 mm

SCOTC OilTankController

Dimensioned drawings



L1 = length of the sensor (mm)
L2 = active range (mm)

Order code

SCOTC OilTankController *

2 switching outputs; no analogue output SCOTC-xxxx-00-07
M12x1 connecting plug; 4-pole

2 switching outputs; with analogue output SCOTC-xxxx-10-07
M12x1 connecting plug; 4-pole

1 switching output; with analogue output SCOTC-xxxx-10-05
M12x1 connecting plug; 5-pole

3 switching outputs; no analogue output SCOTC-xxxx-00-05
M12x1 connecting plug; 5-pole
with safety control

Length (Installation length L1 mm)

250 mm	250
370 mm	370
520 mm	520
800 mm	800
1000 mm	1000

Accessories

PC Programming Kit

SCSD-PRG-KIT

Connection cable and single plug

Connection cable, assembled
(open cable end)

SCK-400-xx-xx

Cable length (m)

2 m	02
5 m	05
10 m	10

Plug

M12 cable jack; straight	45
M12 cable jack; 90° angled	55

Single connector

M12 cable jack; straight

SCK-145

M12 cable jack; 90° angled

SCK-155

* Venting filter, filling coupling, low pressure switch and clogging indicator are not included in the delivery.

SCK cable

Device features

- One cable for all
- Compact size
- Interference-free
- Compatible to:
 - Sensors
 - Controllers
- M12 plug
- DIN EN 175301 (Device plug)
- Available in a variety of lengths



The **SensoControl**® cable was designed for use with the industrial sensors and switches.

Thus the M12 cable and M12 plug are

- Compact
- Shielded
- Five-pole

5-pole version

The 5-pole cable is suitable for both 4-pole and 5-pole connections. The sensor variants with a 4-pole connector are fully compatible with the 5-pole cable.

So despite different pin counts on the pressures switch (Controller Family SCxSD and SCOTC) and sensors, it is always possible to use just one cable version (5-pole) regardless of the plug version.

The SCK-400-xxx-x5 cables fit to all components in this catalogue using M12 connectors.

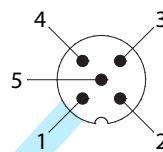
Shielding

Shielding protects against interference and ensures improved operational safety.

- Higher EMC protection

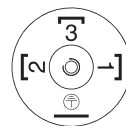
Pin assignment

SCK-400-xx-x5



PIN			
1	bn	brown	braun
2	wh	white	weiß
3	bu	blue	blau
4	bk	black	schwarz
5	gy	grey	grau

SCK-400-xx-56



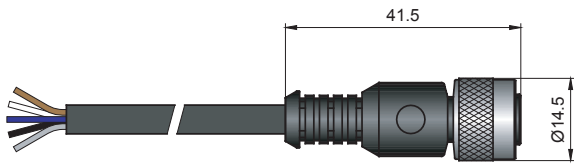
PIN			
1	ye	yellow	gelb
2	gn	green	grün
3	bn	brown	braun

SCK cable

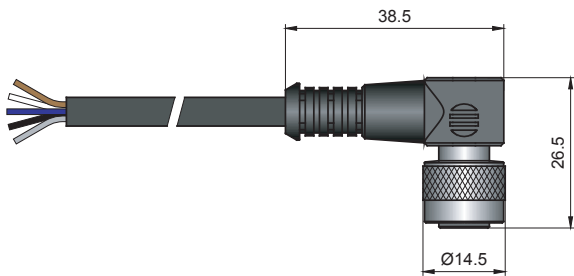
Dimensioned drawings

Connection cable

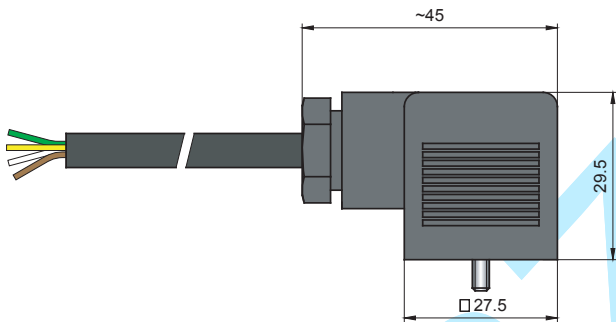
SCK-400-xx-45



SCK-400-xx-55

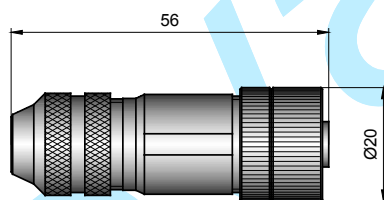


SCK-400-xx-56

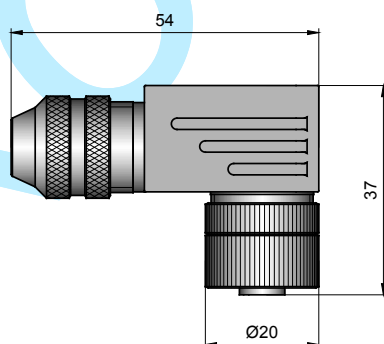


Single connector

SCK-145



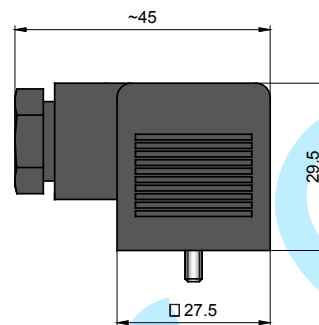
SCK-155



Dimensioned drawings

Single connector

SCK-006 (Device plug)



Connection cable and single plug

Connection cable, assembled
(open cable end)

Cable length (m)

2 m	02
5 m	05
10 m	10

Plug

M12 cable jack; straight	45
M12 cable jack; 90° angled	55
Cable socket DIN EN 175301-803 Form A (old DIN 43650)	56

Single connector

M12 cable jack; straight	SCK-145
M12 cable jack; 90° angled	SCK-155
Cable socket DIN EN 175301-803 Form A (old DIN 43650)	SCK-006

SCA adapter

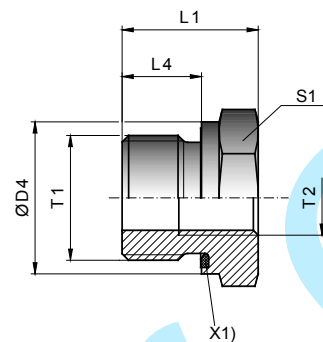
SCA-1/4 reduction adapter

The SCA-1/4 provides compatibility for earlier sensor versions with the hydraulic connection M22x1.5 or G1/2 BSPP.

- When replacing earlier versions

This allows facilities to be updated without major planning overhead.

SCA-1/4-M22x1.5-ED
SCA-1/4-ED-1/2-ED



SCA-1/4-M22x1.5-ED
SCA-1/4-ED-1/2-ED

SCA-1/4-M22x1.5-ED
SCA-1/4-ED-1/2-ED

X1) EOLASTIC-seal

T1	T2	ØD4	L1	L4	S1	Weight (g/1 St)	PN (bar) ¹⁾ A3C	DF **
M22x1.5	G1/4 BSPP	27	24	14	27	56	400	4
G1/2 BSPP	G1/4 BSPP	27	24	14	27	56	400	4

SCA-1/4 attenuation adapter

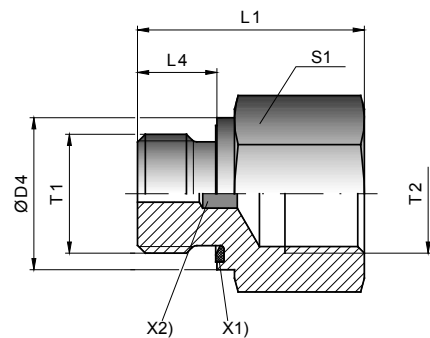
System-related pressure spikes are reduced with the SCA-1/4-EDX-1/4-D.

- Attenuation for pressure peaks

The G1/2 BSPP version ensures compatibility for earlier sensor versions to the G1/2 BSPP hydraulic connection.

- When replacing earlier versions

SCA-1/4-EDX-1/4-D



SCA-1/4-EDX-1/4-D

SCA-1/4-EDX-1/4-D

X1) EOLASTIC-seal

T1	T2	ØD4	L1	L4	S1	Weight (g/1 St)	PN (bar) ¹⁾ A3C	DF **
G1/4A BSPP	G1/4 BSPP	19	34	12	22	61	630	3.5

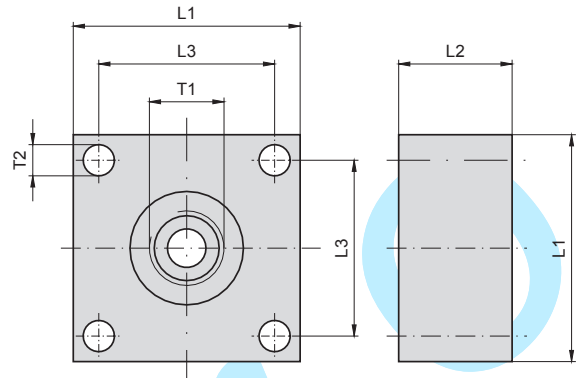
SCA adapter

SCPSD flange adapter SCAF-1/4-40 for mechanical pressure switch

When replacing existing mechanical pressures switches SCAF-1/4-40 with 40x40mm flange connections

SCAF-1/4-40
for mechanical pressure switch

SCAF-1/4-40



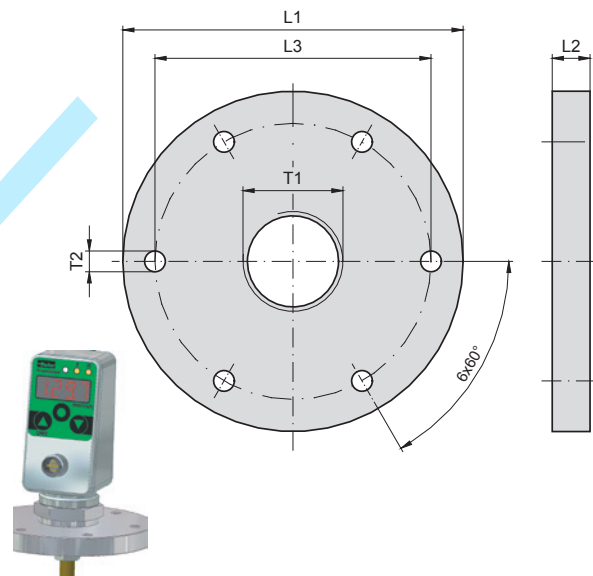
T1	T2	L1	L2	L3	Weight (g/1 St)	PN (bar) ¹⁾ Alu	DF **
G1/4 BSPP	5.5	40	20	31	15	400	4

SCLSD/SCLTSD flange adapter SCAF-3/4-90 6-hole connection DIN 24557, part 2

For LevelController and LevelTemp Controller (SCLSD and SCLTSD), a compatibility to the tank connections 6-hole DIN 24557, part 2, is ensured.

SCAF-3/4-90
6-hole connection DIN 24557, part 2

SCAF-3/4-90



T1	T2	L1	L2	L3	Weight (g/1 St)	Material
G3/4 BSPP	5.5	90	10	73	520	Nickel-plated brass

** DF = Design Factor (safety factor)

EMA-3 adapter

Modular construction

Controller/Sensors

- All Controller Family instruments
- Pressure sensors

EMA-3 tube

- SC-SMA3-xxxx-xxxx



- SC-SMA3-xxxx-1/4F-xxxx



- SC-SMA3-xxxx-1/4ED-xxxx



EMA-3 adapter

- SCA-EMA3-SH-1/4F-xxxx



- SCA-EMA3-SH-1/4ED-xxxx



- SCA-1/4-EMA3-xxxx



- SCA-90-EMA3MFED-xxxx



EMA-3 gauge connection

- SCA-EMA3/1/4ED-xxxx



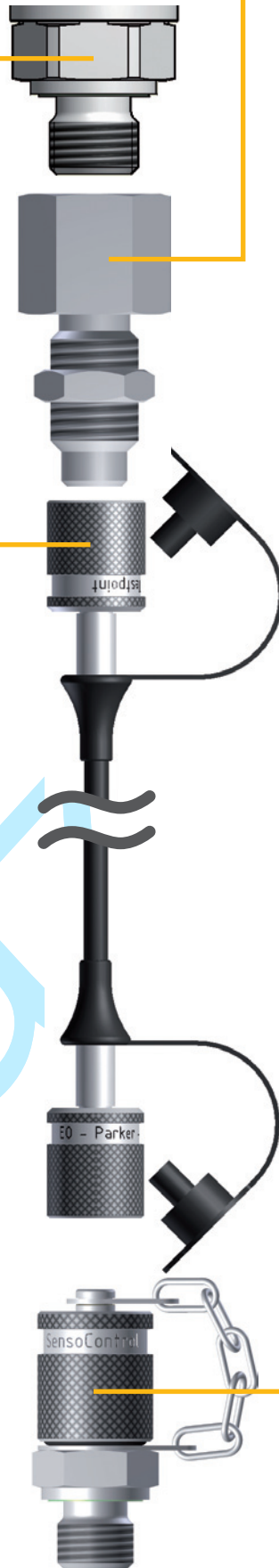
- SCA-EMA3/1/4NPT-xxxx



- SCA-EMA3/7-16UNF-xxxx



- SCA-EMA3/9-16UNF-xxx

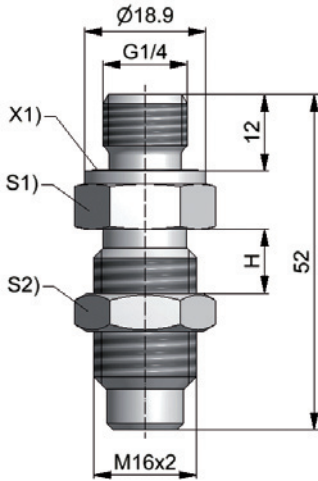


EMA-3 adapter

Dimensioned drawings

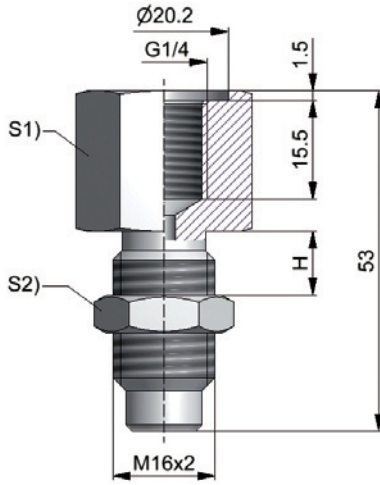
EMA-3 adapter

SCA-EMA3-SH-1/4ED-xxxx



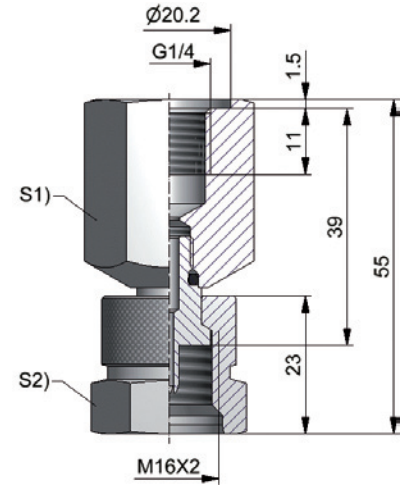
S1) = SW19
S2) = SW19
X1) = ED seal
H = 11 max.

SCA-EMA3-SH-1/4F-xxxx



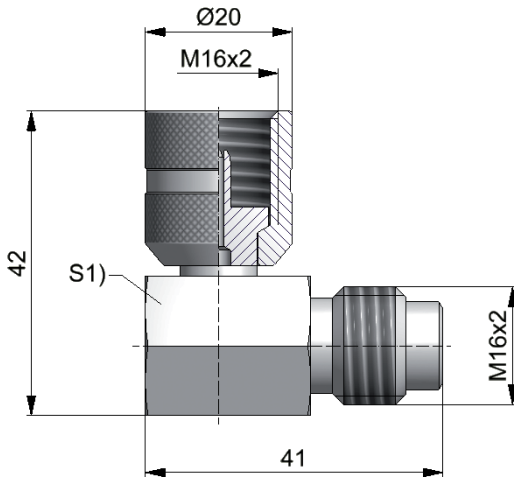
S1) = SW24
S2) = SW19
H = 11 max.

SCA-1/4-EMA3-xxxx



S1) = SW24
S2) = SW22

SCA-90-EMA3MFED-xxxx



S1) = SW19

Order code

EMA-3 adapter

Bulkhead fitting

G1/4 BSPP ED outer thread; M16x2

SCA-EMA3-SH-1/4ED-xxxx

Bulkhead fitting

G1/4 BSPP inner thread; M16x2

SCA-EMA3-SH-1/4F-xxxx

Adapter G1/4

G1/4 BSPP inner thread; M16x2 screw coupling

SCA-1/4-EMA3-xxxx

Angle adapter 90°

M16x2 screw coupling; M16x2

SCA-90-EMA3MFED-xxxx

Version

Contains no hexavalent chrome

CF

Stainless steel

316L

EMA-3 adapter

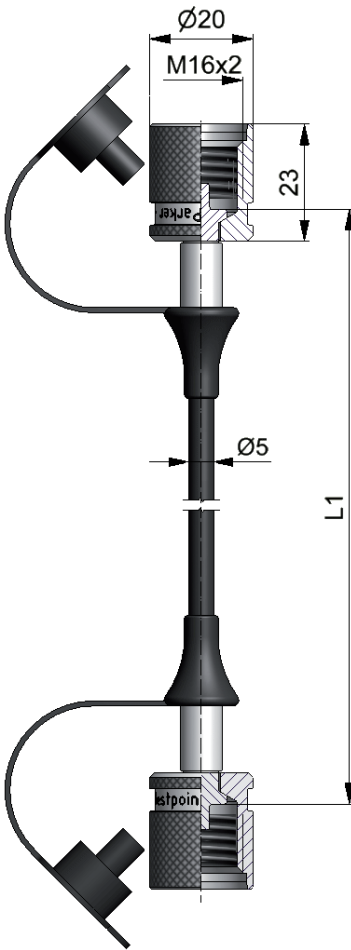
Dimensioned drawings

EMA-3 tube

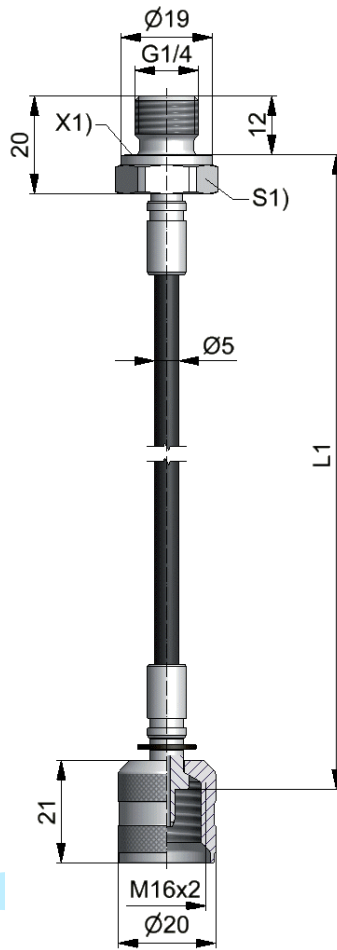
SC-SMA3-xxxx-xxxx

SC-SMA3-xxxx-1/4ED-xxxx

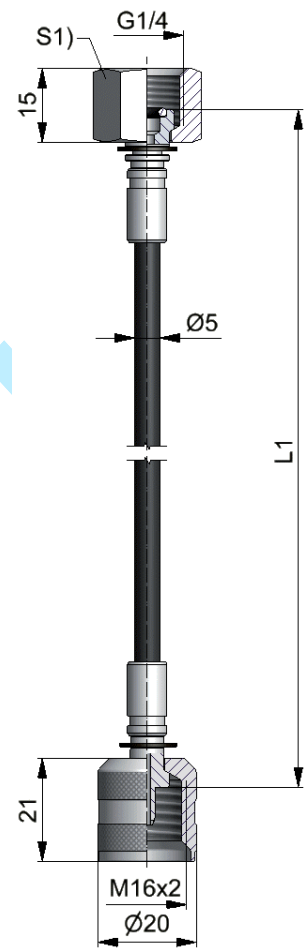
SC-SMA3-xxxx-1/4F-xxxx



L1) = 500 / 1000 / 1500



L1) = 500 / 1000 / 1500
S1) = SW19
X1) = sealed edge



L1) = 500 / 1000 / 1500
S1) = SW19

Order code

EMA-3 gauge tube
M16x2 screw coupling
M16x2 screw coupling

SCA-SMA3-xxxx-xxxx

G1/4 BSPP ED outer thread
M16x2 screw coupling

SCA-SMA3-xxxx-1/4ED-xxxx

Length (in mm)

500 mm

1000 mm

1500 mm

500

1000

1500

Version

Contains no hexavalent chrome

Stainless steel

CF
316L

G1/4 BSPP inner thread
M16x2 screw coupling

SCA-SMA3-xxxx-1/4F-xxxx

Length (in mm)

500 mm

1000 mm

1500 mm

500

1000

1500

Version

Contains no hexavalent chrome

Stainless steel

CF
316L

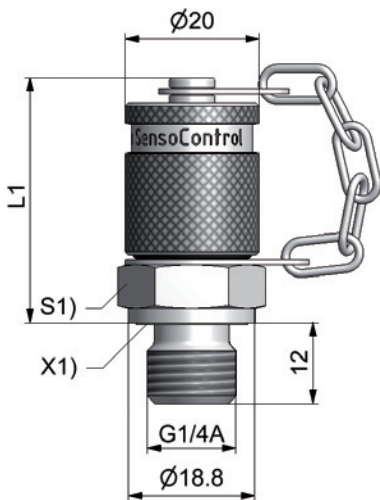


EMA-3 adapter

Dimensioned drawings

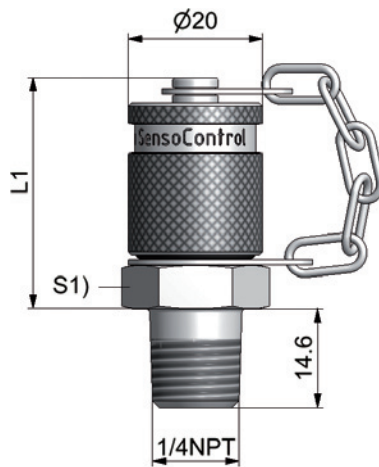
EMA-3 gauge connection

SCA-EMA3/1/4ED-xxxx



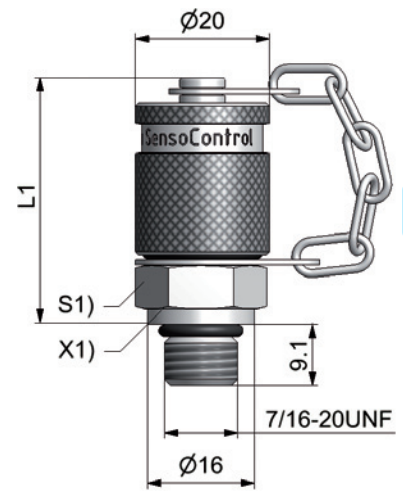
S1) = SW24
S2) = SW19
H = 11 max.
P_n = 630 bar

SCA-EMA3/1/4NPT-xxxx



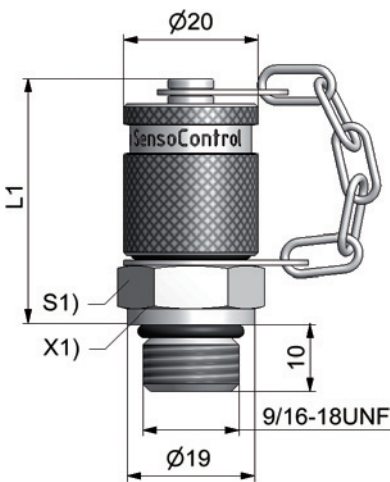
S1) = SW24
S2) = SW19
X1) = ED seal
H = 11 max.
P_n = 630 bar

SCA-EMA3/7-16UNF-xxxx



S1) = SW24
S2) = SW22
P_n = 630 bar

SCA-EMA3/9-16UNF-xxxx



S1) = SW19
P_n = 630 bar

Order code

EMA-3 gauge connection
ISO 288 G 1/4 ED
M16x2

1/4-18 NPT
M16x2

7/16-20 UNF
M16x2

9/16-18 UNF
M16x2

Version

Contains no hexavalent chrome
Stainless steel

SCA-EMA3/1/4ED-xxxx

SCA-EMA3/1/4NPT-xxxx

SCA-EMA3/7-16UNF-xxxx

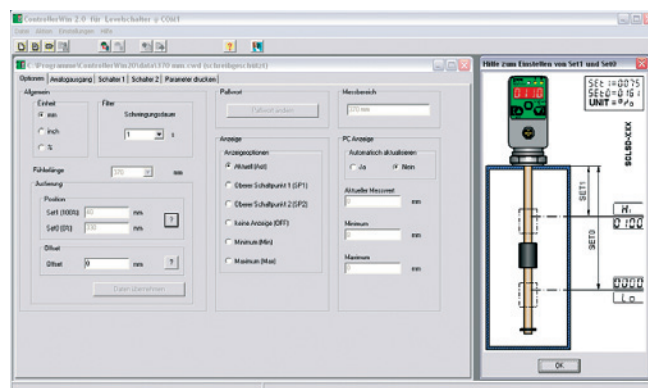
SCA-EMA3/9-16UNF-xxxx

CF
316L

ControllerWIN software

Device features

- Suitable for the Controller Family
- Simple adjustment of all parameters
- Saving of the parameters
- Adjustment with PC/laptop
 - at the workbench
 - at the desk
 - in the plant



The ControllerWIN software allows the adjustment and saving of all parameters, including:

- Switching points
- NO / NC contact function
- Window / hysteresis
- Scaling of the analogue output
- Passwords

From the Controller Family product series:

- SCPSD
- SCTSD
- SCLSD
- SCLTSD
- SCOTC

Function

A no-contact infra-red interface is used to compare the data with the corresponding functional controller. This can take place directly in the facility or externally using a power supply unit (not included in the delivery).

- It is not necessary to disconnect the power supply or pull the cable out (operations are not interrupted).

A programming adapter is connected to the corresponding controller and the data is transmitted to a PC.

The SCSD-PRG_KIT programming kit includes all components (adapter, software and power supply) required for adjusting the controller with the PC or laptop:

- At the workbench
- At the desk
- In the plant

Application

- Saving and logging the adjusted values
- Programming multiple controllers
- Easy exchange of existing controllers

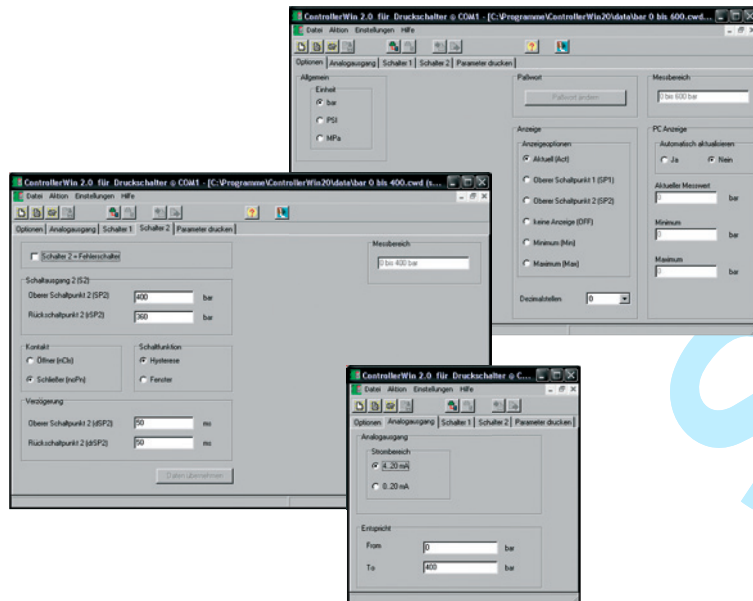
The programming kit is the ideal solution in each of these cases.

ControllerWIN software

Technical data

System requirements

Operating system	PC / laptop connection	Controller connection
WIN 98/2000/ME/NT/XP	RS232 (USB using conventional adapter)	Parker infra-red interface SCxSD/SCOTC



Accessories for:

PressureController	TemperatureController	LevelController	LevelTempController	OilTankController
Pressure display and monitoring	Temperature display and monitoring	Level indication and monitoring	Level and temperature display and monitoring	


Order code

PC Programming KIT

SCSD-PRG-KIT



Installation and safety instructions

 The CE mark indicates a high-quality device that complies with the European directive 89/336/EWG and EMVG.

We confirm that these products comply with the following standards:

EMC

- Electromagnetic emission: EN 61000-6-3
- Electromagnetic immunity: EN 61000-6-2

Important

- Electromagnetic disturbances can affect the desired signal.
- Apply all general EMC strategies when planning facilities and machines.
- We recommend using shielded cables (SCK-400-xx-x5) in order to achieve better EMC immunity.
- Make sure you route analogue and data cables so that there is a sufficient gap between them.
- An effective earthing strategy will help you to avoid measuring errors.

Always connect metal housings with the reference ground. The PE protective earth should have a low-ohm connection. According to VDE 0701, the PE resistance must be measured.

Power feed voltage



Each sensor series specifies the recommended feed voltage to be used when operating the standard sensor. We recommend using a low-noise, high-quality, constant voltage source. Certain specifications (such as sensitivity and thermal sensitivity shift) may change when other power feeds are used. Each sensor is trimmed to its peak performance. The sensor's performance may change when other power feed types are used. Make sure you comply with the polarity and earthing regulations.

Improperly connected feed wires can damage sensors and amplifiers!

If one pole of the sensor feed is automatically earthed via the sensor's processing system, then you should avoid an additional earth on the sensor signal wire. This would cause the sensor to short circuit and damage the sensor.

Do not apply feed-in voltage to the output wires. This will permanently damage the sensors!



The sensor will be damaged if the data sheet specifications and maximum recommended feed voltage levels are exceeded!

Compatibility with media (substances)

SensoControl® products which come into contact with the substance are not produced in an oil-free or fat-free environment.

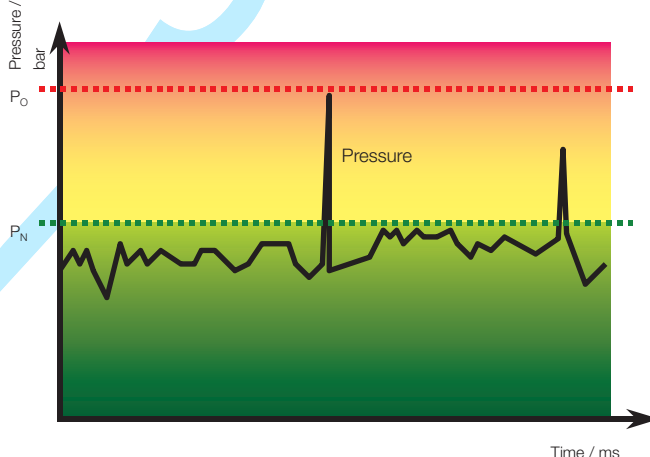
Therefore these products are **not** suitable for use in applications which use explosive mixtures of oil and gas (e.g. oxygen or compression). This could lead to a danger of explosion!

Danger of explosion!

Only use substances which are compatible with the components that come into contact with the substance. (Refer to the data sheets)

Please consult with the plant manufacturer or the manufacturer of the substance if you have any questions. (Refer to catalogue 4100 chapter C).

Pressure range selection



When selecting pressure components, ensure that the overload pressure P_{max} will not be exceeded.

It is possible that the pressure cell can be deformed when the overload pressure P_{max} is exceeded (depending on the duration, frequency and level of the pressure spike).

Note: The "diesel effect" caused by entrapped air can result in pressure spikes that far exceed the maximum pressure.

The nominal pressure P_N of the pressure component (sensor/switch) should be higher than the nominal pressure of the system to be measured.

Appendix

Temperature conversion table

Celsius to Fahrenheit

°C	°F
150	302
145	293
140	284
135	275
130	266
125	257
120	248
115	239
110	230
105	221
100	212
95	203
90	194
85	185
80	176
75	167
70	158
65	149
60	140
55	131
50	122
45	113
40	104
35	95
30	86
25	77
20	68
15	59
10	50
5	41
0	32
-5	23
-10	14
-15	5
-20	-4
-25	-13
-30	-22
-35	-31
-40	-40
-45	-49
-50	-58

Fahrenheit to celsius

°F	°C
340	171
330	166
320	160
310	154
300	149
290	143
280	138
270	132
260	127
250	121
240	116
230	110
220	104
210	99
200	93
190	88
180	82
170	77
160	71
150	66
140	60
130	54
120	49
110	43
100	38
90	32
80	27
70	21
60	16
50	10
40	4
30	-1
20	-7
10	-12
0	-18
-10	-23
-20	-29
-30	-34
-40	-40
-50	-46
-60	-51

Pressure conversion table

bar to psi

bar	psi
1000	14505
800	11604
600	8703
500	7253
400	5802
250	3626
160	2321
100	1451
60	870
40	580
35	508
25	363
16	232
10	145
6	87
4	58
2.5	36
1.6	23
1	15

psi to bar

psi	bar
10000	689
9000	620
7000	483
6000	414
4000	276
3000	207
2500	172
1000	69
900	62
600	41
500	34
400	28
250	17
150	10.3
100	6.9
90	6.2
60	4.1
40	2.8
25	1.7
10	0.7

Examples

Temperature conversion

Initial value: 100

°C in °F: 212 °F

°F in °C: 37.78 °C

Pressure conversion

Initial value: 35

bar in psi: 507.675 psi

psi in bar: 2.41296 bar

Appendix

Index

SCxSD	48-49	SCLSD-...	78-83
SC-910	33	SCLTSD-...	84-89
SC-911	33	SCOTC-...	90-95
SC-912	33	SCP-...-EX1	23-25
SCA-1/2-EDX-1/4-D	98	SCP01-...	8-11
SCA-1/4-ED-1/2-ED	98	SCP02-...	12-17
SCA-1/4-EDX-1/4-D	98	SCPS01-...	18-22
SCA-1/4-M22x1.5-ED	98	SCPSD-...	56-61
SCA-...EMA3	101/103	SCPSDi-...	50-55
SCAF-1/4-40	99	SCQ-060-10-07	30-33
SCAF-3/4-90	99	SCQ-150-10-07	30-33
SCA-SMA3-...	102	SCQ-M23x1.5-ED	33
SCAQ-060	30-33	SCQ-M42x1.5-ED	33
SCAQ-150	30-33	SCQ-R1/2-ED	33
SCAQ-GI-R1/2	30-33	SCQ-R3/4-ED	33
SCA-TT-10-1/2	69	SCSD-PRG-KIT	104-105
SCA-TT-10-xxx	69	SCSD-S27	61/69
SCE-020-02	44-47	SCSN-410	44-47
SCFT-...	34-37	SCT-150-...	26-27
SCK-006	96-97	SCTSD-150-...	62-73
SCK-145	96-97	SCTSD-L-...	74-77
SCK-155	96-97	SCTT-10-xxx-07	69
SCK-300-02-31	44-47	SCTT-20-10-07	69
SCK-400-...	96-97	SCVF-...	38-43
SCK-410-03-45-45	69		

Old and new references

Old order number	New order number	Old order number	New order number
SCK-007	SCK-145	SCP-xxx-x4-0x-MO	SCP02-xxx-x4-0x
SCK-045	SCK-145	SCP-xxx-x4-0x	SCP01-xxx-x4-0x
SCK-047	SCK-145	SCP-xxx-10-06	SCP01-xxx-14-06 + SCA-1/4-M22x1.5-ED
SCK-055	SCK-155	SCP-xxx-10-07	SCP01-xxx-14-07 + SCA-1/4-M22x1.5-ED
SCK-057	SCK-155	SCP-xxx-12-06	SCP01-xxx-14-06 + SCA-1/4-ED-1/2-ED
SCK-147	SCK-145	SCP-xxx-12-07	SCP01-xxx-14-07 + SCA-1/4-ED-1/2-ED
SCK-157	SCK-155	SCP-xxx-20-06	SCP01-xxx-24-06 + SCA-1/4-M22x1.5-ED
SCK-200-xxx-45	SCK-400-xxx-45	SCP-xxx-20-07	SCP01-xxx-24-07 + SCA-1/4-M22x1.5-ED
SCK-200-xxx-47	SCK-400-xxx-45	SCP-xxx-22-06	SCP01-xxx-24-06 + SCA-1/4-ED-1/2-ED
SCK-200-xxx-55	SCK-400-..55	SCP-xxx-22-07	SCP01-xxx-24-07 + SCA-1/4-ED-1/2-ED
SCK-200-xxx-56	SCK400-xxx-56	SCP-xxx-30-06	SCP01-xxx-34-06 + SCA-1/4-M22x1.5-ED
SCK-200-xxx-57	SCK-400-..55	SCP-xxx-30-07	SCP01-xxx-24-07 + SCA-1/4-M22x1.5-ED
SCK-400-xxx-06	SCK-400-xxx-56	SCP-xxx-32-06	SCP01-xxx-34-06 + SCA-1/4-ED-1/2-ED
SCK-400-xxx-07	SCK-400-xxx-45	SCP-xxx-32-07	SCP01-xxx-24-07 + SCA-1/4-ED-1/2-ED
SCK-400-xxx-47	SCK-400-xxx-45	SCP-xxx-40-06	SCP01-xxx-44-06 + SCA-1/4-M22x1.5-ED
SCK-400-xxx-57	SCK-400-..55	SCP-xxx-40-07	SCP01-xxx-44-07 + SCA-1/4-M22x1.5-ED
SCPSD-xxx-04-05	SCPSD-xxx-04-17	SCP-xxx-42-06	SCP01-xxx-44-06 + SCA-1/4-ED-1/2-ED
SCPSD-xxx-04-06	SCPSD-xxx-04-16	SCP-xxx-42-07	SCP01-xxx-44-07 + SCA-1/4-ED-1/2-ED
SCPSD-xxx-04-07	SCPSD-xxx-04-17		
SCPSD-xxx-14-05	SCPSD-xxx-14-15		

Please ask about compatible products for non-listed items.



Parker's Motion & Control Technologies

At Parker, we're guided by a relentless drive to help our customers become more productive and achieve higher levels of profitability by engineering the best systems for their requirements. It means looking at customer applications from many angles to find new ways to create value. Whatever the motion and control technology need, Parker has the experience, breadth of product and global reach to consistently deliver. No company knows more about motion and control technology than Parker. For further info call 00800 27 27 5374



Aerospace

Key Markets
Aircraft services
Commercial transports
Engines
General & business aviation
Helicopters
Launch vehicles
Military aircraft
Missiles
Power generation
Regional transports
Unmanned aerial vehicles

Key Products

Control systems & actuation products
Engine systems & components
Fluid conveyance systems & components
Fluid mixing, delivery & atomization devices
Fuel systems & components
Fuel tank inerting systems
Hydraulic systems & components
Thrust management
Wheels & brakes



Climate Control

Key Markets
Agriculture
Air conditioning
Construction Machinery
Food & beverage
Industrial machinery
Life sciences
Oil & gas
Precision coating
Process
Refrigeration
Transportation

Key Products

Accumulators
Advanced actuators
CO₂ control
Electronic controllers
Filter driers
Hard shut-off valves
Heat exchangers
Hoses & fittings
Pressure regulating valves
Refrigerant distributors
Safety relief valves
Smart pumps
Solenoil valves
Thermostatic expansion valves



Electromechanical

Key Markets
Aerospace
Factory automation
Life sciences & medical
Machine tools
Packaging machinery
Repair machinery
Plastics machinery & converting
Primary metals
Semiconductors & electronics
Tanks
Wire & cable

Key Products

AC/DC drives & systems
Electric actuators, gantry robots & lifts
Electrohydraulic actuation systems
Electromechanical actuation systems
Human machine interfaces
Linear motors
Sapper motors, servo motors, drives & controls
Structural extruders



Filtration

Key Markets
Aerospace
Food & beverage
Industrial plant & equipment
Life sciences
Metals
Mobile equipment
Oil & gas
Power generation & renewable energy
Process
Transportation
Water Purification

Key Products

Analytical gas generators
Compressed air filters & dryers
Engine oil, coolant, fuel & oil filtration systems
Fluid condition monitoring systems
Hydraulic & lubrication filters
Hydrogen, nitrogen & zero air generators
Instrumentation filters
Membranes & fiber filters
Mineralization
Sterile air filtration
Water desalination & purification filters & systems



Fluid & Gas Handling

Key Markets
Aerial lift
Agriculture
Bulk, chemical handling
Construction machinery
Food & beverage
Fuel & gas delivery
Industrial machinery
Life sciences
Metals
Mining
Mobile
Oil & gas
Renewable energy
Transportation

Key Products

Check valves
Connectors for low pressure
Fluid conveyance
Deep sea umbilicals
Diagnostic equipment
Hose couplings
Industrial hose
Mixing systems & power cables
PTFE hose & tubing
Quick couplings
Rubber & thermoplastic hose
Tube fittings & adapters
Tubing & plastic fittings



Hydraulics

Key Markets
Aerial lift
Agriculture
Alternative energy
Construction machinery
Factory
Industrial machinery
Machine tools
Metals handling
Mining
Oil & gas
Power generation
Recreational vehicles
Renewable energy
Truck hydraulics
Turf equipment

Key Products

Accumulators
Cartridge valves
Electrohydraulic actuators
Human machine interfaces
Hydro drives
Hydraulic cylinders
Hydraulic motors & pumps
Hydraulic systems
Hydraulic valves & controls
Hydrostatic steering
Integrated hydraulic circuits
Power take offs
Power units
Rotary actuators
Sensors



Pneumatics

Key Markets
Aerospace
Conveyor & material handling
Factory automation
Life sciences & medical
Machine tools
Packaging machinery
Transportation & automotive

Key Products

Air preparation
Brazing fittings & valves
Manifolds
Pneumatic accessories
Pneumatic actuators & grippers
Pneumatic valves & controls
Quick disconnects
Rotary actuators
Rubber & thermoplastic hose & couplings
Structural extruders
Thermostatic tubing & fittings
Vacuum generators, cups & sensors



Process Control

Key Markets
Alternative fuels
Biopharmaceuticals
Chemical & refining
Food & beverage
Metals & shipbuilding
Medical & dental
Microelectronics
Nuclear Power
Offshore oil exploration
Oil & gas
Pharmaceuticals
Power generation
Pulp & paper
Solid
Water/wastewater

Key Products

Analytical instruments
Analytical sample conditioning products & systems
Chemical injection fittings & valves
Fluoropolymer chemical delivery fittings, valves & pumps
High purity gas delivery fittings, valves, regulators & digital flow controllers
Industrial mass flow meters/controllers
Permanent no-weld tube fittings
Precision industrial regulators & flow controllers
Process control double check & bleed
Process control fittings, valves, regulators & manifold valves



Sealing & Shielding

Key Markets
Aerospace
Chemical processing
Consumer
Field power
General industrial
Information technology
Life sciences
Microelectronics
Military
Oil & gas
Power generation
Renewable energy
Telecommunications
Transportation

Key Products

Dynamic seals
Elastomeric o-rings
Electro-medical instrument design & assembly
EMI shielding
Extruded & precision cut, lubricated elastomeric seals
High temperature metal seals
Homogeneous & inerted elastomeric shapes
Medical device fabrication & assembly
Metal & plastic retained composite seals
Shielded optical windows
Silicone tubing & actuators
Thermal management
Vibration dampening

Parker Worldwide

Europe, Middle East, Africa

AE – United Arab Emirates,
Dubai

Tel: +971 4 8127100
parker.me@parker.com

AT – Austria, Wiener Neustadt

Tel: +43 (0)2622 23501-0
parker.austria@parker.com

AT – Eastern Europe, Wiener
Neustadt

Tel: +43 (0)2622 23501 900
parker.easteurope@parker.com

AZ – Azerbaijan, Baku

Tel: +994 50 2233 458
parker.azerbaijan@parker.com

BE/LU – Belgium, Nivelles

Tel: +32 (0)67 260 900
parker.belgium@parker.com

BY – Belarus, Minsk

Tel: +375 17 209 9399
parker.belarus@parker.com

CH – Switzerland, Etoy

Tel: +41 (0)21 821 87 00
parker.switzerland@parker.com

CZ – Czech Republic, Klecany

Tel: +420 284 083 111
parker.czechrepublic@parker.com

DE – Germany, Kaarst

Tel: +49 (0)2131 4016 0
parker.germany@parker.com

DK – Denmark, Ballerup

Tel: +45 43 56 04 00
parker.denmark@parker.com

ES – Spain, Madrid

Tel: +34 902 330 001
parker.spain@parker.com

FI – Finland, Vantaa

Tel: +358 (0)20 753 2500
parker.finland@parker.com

FR – France, Contamine s/Arve

Tel: +33 (0)4 50 25 80 25
parker.france@parker.com

GR – Greece, Athens

Tel: +30 210 933 6450
parker.greece@parker.com

HU – Hungary, Budapest

Tel: +36 1 220 4155
parker.hungary@parker.com

IE – Ireland, Dublin

Tel: +353 (0)1 466 6370
parker.ireland@parker.com

IT – Italy, Corsico (MI)

Tel: +39 02 45 19 21
parker.italy@parker.com

KZ – Kazakhstan, Almaty

Tel: +7 7272 505 800
parker.easteurope@parker.com

NL – The Netherlands, Oldenzaal

Tel: +31 (0)541 585 000
parker.nl@parker.com

NO – Norway, Asker

Tel: +47 66 75 34 00
parker.norway@parker.com

PL – Poland, Warsaw

Tel: +48 (0)22 573 24 00
parker.poland@parker.com

PT – Portugal, Leca da Palmeira

Tel: +351 22 999 7360
parker.portugal@parker.com

RO – Romania, Bucharest

Tel: +40 21 252 1382
parker.romania@parker.com

RU – Russia, Moscow

Tel: +7 495 645-2156
parker.russia@parker.com

SE – Sweden, Spånga

Tel: +46 (0)8 59 79 50 00
parker.sweden@parker.com

SK – Slovakia, Banská Bystrica

Tel: +421 484 162 252
parker.slovakia@parker.com

SL – Slovenia, Novo Mesto

Tel: +386 7 337 6650
parker.slovenia@parker.com

TR – Turkey, Istanbul

Tel: +90 216 4997081
parker.turkey@parker.com

UA – Ukraine, Kiev

Tel: +380 44 494 2731
parker.ukraine@parker.com

UK – United Kingdom, Warwick

Tel: +44 (0)1926 317 878
parker.uk@parker.com

ZA – South Africa, Kempton Park

Tel: +27 (0)11 961 0700
parker.southafrica@parker.com

North America

CA – Canada, Milton, Ontario

Tel: +1 905 693 3000

US – USA, Cleveland

Tel: +1 216 896 3000

Asia Pacific

AU – Australia, Castle Hill

Tel: +61 (0)2-9634 7777

CN – China, Shanghai

Tel: +86 21 2899 5000

HK – Hong Kong

Tel: +852 2428 8008

IN – India, Mumbai

Tel: +91 22 6513 7081-85

JP – Japan, Tokyo

Tel: +81 (0)3 6408 3901

KR – South Korea, Seoul

Tel: +82 2 559 0400

MY – Malaysia, Shah Alam

Tel: +60 3 7849 0800

NZ – New Zealand, Mt Wellington

Tel: +64 9 574 1744

SG – Singapore

Tel: +65 6887 6300

TH – Thailand, Bangkok

Tel: +662 186 7000-99

TW – Taiwan, Taipei

Tel: +886 2 2298 8987

South America

AR – Argentina, Buenos Aires

Tel: +54 3327 44 4129

BR – Brazil, Sao Jose dos Campos

Tel: +55 800 727 5374

CL – Chile, Santiago

Tel: +56 2 623 1216

MX – Mexico, Apodaca

Tel: +52 81 8156 6000

EMEA Product Information Centre

Free phone: 00 800 27 27 5374

(from AT, BE, CH, CZ, DE, DK, EE, ES, FI, FR, IE, IL,
IS, IT, LU, MT, NL, NO, PL, PT, RU, SE, SK, UK, ZA)

US Product Information Centre

Toll-free number: 1-800-27 27 537

www.parker.com

